

# Basic ejector

## SEG 10 HS

<https://www.schmalz.com/10.02.01.00247>



Part no.: 10.02.01.00247

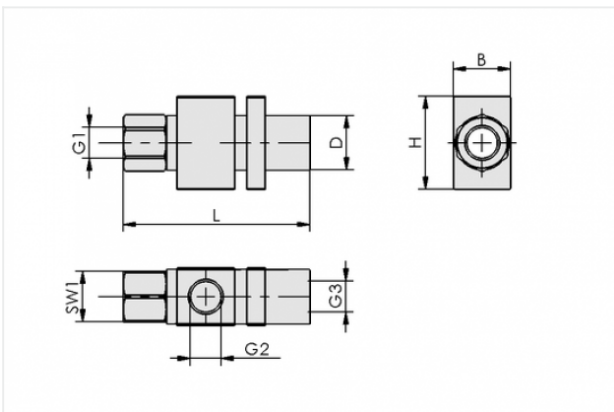
Homepage > Vacuum Technology for Automation > Vacuum Components > Vacuum Generators > Basic Ejectors > Basic Ejectors SEG > SEG 10 HS

### Basic ejector with robust housing for universal use



Nozzle size: 1,0 mm  
Shape: For high vacuum  
Suction rate (max): 34 l/min  
Air consumption (during evac.):  
49 l/min

### Design Data



Attribute	Value
-----------	-------

B	16 mm
D	15 mm
G1	G1/8"-F
G2	G1/8"-F
G3	G1/8"-F
H	26 mm
L	57 mm
SW1	14 mm

### Technical Data

#### Contact to Schmalz

J. Schmalz GmbH | Johannes-Schmalz-Straße, 72293 Glatten, Deutschland | +49 7443 2403-102 | [customercenter@schmalz.de](mailto:customercenter@schmalz.de)

Attribute	Value
Nozzle diameter	1 mm
Degree of evacuation	85 %
Suction rate (max)	34 l/min
Suction rate (max)	2 m <sup>3</sup> /h
Suction rate (max)	1.2 cfm
Air consumption (during evac.)	49 l/min
Air consumption (during evac.)	2.9 m <sup>3</sup> /h
Air consumption (during evac.)	1.73 cfm
Pressure range (operating pressure)	3.0 ... 6.0 bar
Pressure range (operating pressure)	43.5 ... 87.0 psi
Pressure optimal	5 bar
Pressure optimal	72.5 psi
Int. hose diameter (recom.) comp.-air	2 mm
Int. hose diameter (recom.) vacuum side	4 mm
Weight	46 g
Ambient temperature	-10 ... 80 °C

**Note:**

- Air consumption: At optimal operating pressure
- Hose diameter: For max. length 2 m