

Basic ejector

SEG 07 HS

<https://www.schmalz.com/10.02.01.00255>



Part no.: 10.02.01.00255

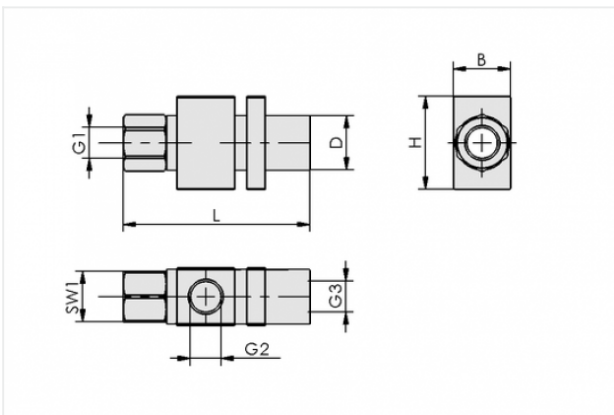
Homepage > Vacuum Technology for Automation > Vacuum Components > Vacuum Generators > Basic Ejectors > Basic Ejectors SEG > SEG 07 HS

Basic ejector with robust housing for universal use



Nozzle size: 0,7 mm
Shape: For high vacuum
Suction rate (max): 14 l/min
Air consumption (during evac.):
21 l/min

Design Data



Attribute	Value
-----------	-------

B	16 mm
---	-------

D	15 mm
---	-------

G1	G1/8"-F
----	---------

G2	G1/8"-F
----	---------

G3	G1/8"-F
----	---------

H	26 mm
---	-------

L	52 mm
---	-------

SW1	14 mm
-----	-------

Technical Data

Contact to Schmalz

J. Schmalz GmbH | Johannes-Schmalz-Straße, 72293 Glatten, Deutschland | +49 7443 2403-102 | customercenter@schmalz.de

Attribute	Value
Nozzle diameter	0.7 mm
Degree of evacuation	85 %
Suction rate (max)	14 l/min
Suction rate (max)	0.8 m ³ /h
Suction rate (max)	0.494 cfm
Air consumption (during evac.)	21 l/min
Air consumption (during evac.)	1.3 m ³ /h
Air consumption (during evac.)	0.741 cfm
Pressure range (operating pressure)	3.0 ... 6.0 bar
Pressure range (operating pressure)	43.5 ... 87.0 psi
Pressure optimal	5 bar
Pressure optimal	72.5 psi
Int. hose diameter (recom.) comp.-air	2 mm
Int. hose diameter (recom.) vacuum side	4 mm
Weight	41 g
Ambient temperature	-10 ... 80 °C

Note:

- Air consumption: At optimal operating pressure
- Hose diameter: For max. length 2 m