

Basic ejector SEG 07 HS-S

<https://www.schmalz.com/10.02.01.00276>



Part no.: 10.02.01.00276

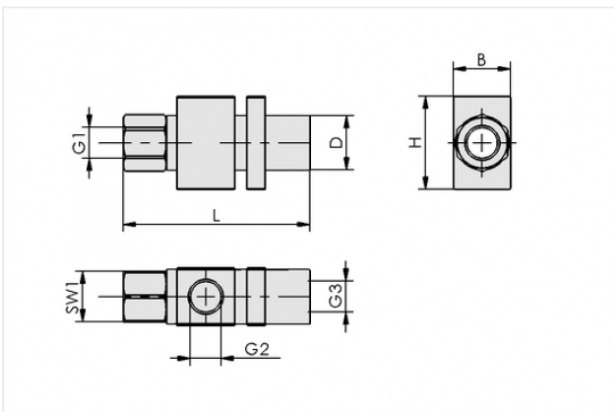
Homepage > Vacuum Technology for Automation > Vacuum Components > Vacuum Generators > Basic Ejectors > Basic Ejectors SEG > SEG 07 HS-S

Basic ejector with robust housing for universal use



Nozzle size: 0,7 mm
Shape: Narrow
Suction rate (max): 16 l/min
Air consumption (during evac.):
21 l/min

Design Data



Attribute	Value
-----------	-------

B	10 mm
---	-------

D	8 mm
---	------

G1	M5-F
----	------

G2	M5-F
----	------

G3	M5-F
----	------

H	20 mm
---	-------

L	40 mm
---	-------

SW1	8 mm
-----	------

Technical Data

Contact to Schmalz

J. Schmalz GmbH | Johannes-Schmalz-Straße, 72293 Glatten, Deutschland | +49 7443 2403-102 | customercenter@schmalz.de

Attribute	Value
Nozzle diameter	0.7 mm
Degree of evacuation	82 %
Suction rate (max)	16 l/min
Suction rate (max)	1 m ³ /h
Suction rate (max)	0.565 cfm
Air consumption (during evac.)	21 l/min
Air consumption (during evac.)	1.3 m ³ /h
Air consumption (during evac.)	0.741 cfm
Pressure range (operating pressure)	3.0 ... 6.0 bar
Pressure range (operating pressure)	43.5 ... 87.0 psi
Pressure optimal	5 bar
Pressure optimal	72.5 psi
Int. hose diameter (recom.) comp.-air	2 mm
Int. hose diameter (recom.) vacuum side	2 mm
Weight	10 g
Ambient temperature	-10 ... 80 °C

Note:

- Air consumption: At optimal operating pressure
- Hose diameter: For max. length 2 m