

# Basic ejector

## SEG 05 HS-S

<https://www.schmalz.com/10.02.01.00272>



Part no.: 10.02.01.00272

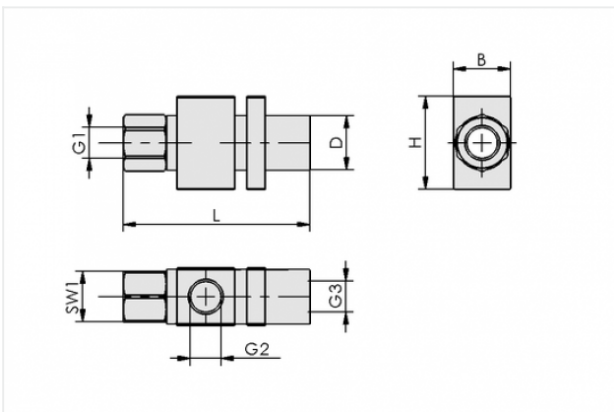
Homepage > Vacuum Technology for Automation > Vacuum Components > Vacuum Generators > Basic Ejectors > Basic Ejectors SEG > SEG 05 HS-S

### Basic ejector with robust housing for universal use



Nozzle size: 0,5 mm  
Shape: Narrow  
Suction rate (max): 7 l/min  
Air consumption (during evac.):  
13 l/min

### Design Data



Attribute	Value
-----------	-------

B	10 mm
---	-------

D	8 mm
---	------

G1	M5-F
----	------

G2	M5-F
----	------

G3	M5-F
----	------

H	20 mm
---	-------

L	40.5 mm
---	---------

SW1	8 mm
-----	------

### Technical Data

#### Contact to Schmalz

J. Schmalz GmbH | Johannes-Schmalz-Straße, 72293 Glatten, Deutschland | +49 7443 2403-102 | [customercenter@schmalz.de](mailto:customercenter@schmalz.de)

Attribute	Value
Nozzle diameter	0.5 mm
Degree of evacuation	82 %
Suction rate (max)	7 l/min
Suction rate (max)	0.4 m <sup>3</sup> /h
Suction rate (max)	0.247 cfm
Air consumption (during evac.)	13 l/min
Air consumption (during evac.)	0.8 m <sup>3</sup> /h
Air consumption (during evac.)	0.459 cfm
Pressure range (operating pressure)	3.0 ... 6.0 bar
Pressure range (operating pressure)	43.5 ... 87.0 psi
Pressure optimal	5 bar
Pressure optimal	72.5 psi
Int. hose diameter (recom.) comp.-air	2 mm
Int. hose diameter (recom.) vacuum side	2 mm
Weight	10 g
Ambient temperature	-10 ... 80 °C

**Note:**

- Air consumption: At optimal operating pressure
- Hose diameter: For max. length 2 m