

Quick exhaust valve

SEV G1/8-IG G1/4-AG

<https://www.schmalz.com/10.02.01.01471>



Part no.: 10.02.01.01471

Homepage > Vacuum Technology for Automation > Vacuum Components > Vacuum Generators > Ejector modules > SEV G1/8-IG G1/4-AG

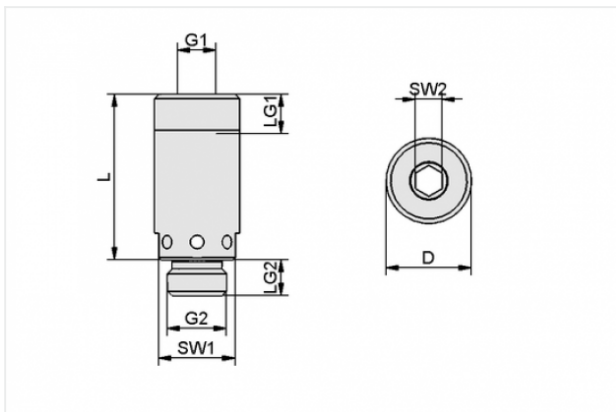
Quick exhaust valve



Thread G1: G1/8-F

Thread G2: G1/4-M

Design Data



Attribute	Value
-----------	-------

D	19 mm
---	-------

G1	G1/8"-F
----	---------

G2	G1/4"-M
----	---------

L	37 mm
---	-------

LG1	8.8 mm
-----	--------

SW1	17 mm
-----	-------

SW2	6 mm
-----	------

Technical Data

Attribute	Value
-----------	-------

Pressure range (operating pressure)	2.5 ... 7.0 bar
-------------------------------------	-----------------

Weight	22.7 g
--------	--------

Contact to Schmalz

J. Schmalz GmbH | Johannes-Schmalz-Straße, 72293 Glatten, Deutschland | +49 7443 2403-102 | customercenter@schmalz.de



[Contact to Schmalz](#)

J. Schmalz GmbH | Johannes-Schmalz-Straße, 72293 Glatten, Deutschland | +49 7443 2403-102 |
customercenter@schmalz.de