

Mounting bracket

BEF-WIN 50x40x41 5 SFE-22

<https://www.schmalz.com/10.08.03.00315>



Part no.: 10.08.03.00315

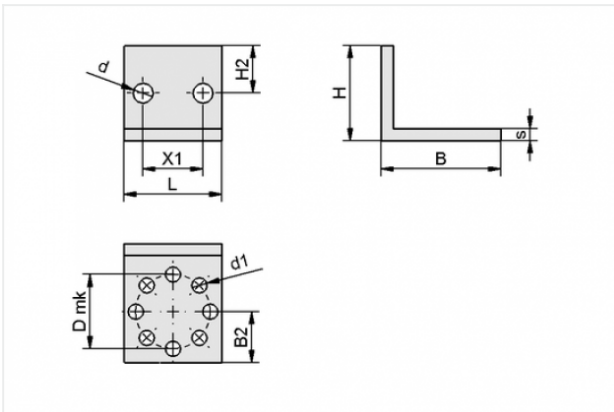
Homepage > Vacuum Technology for Automation > Vacuum Components > Vacuum Generators > Ejector modules > BEF-WIN 50x40x41 5 SFE-22

Mounting bracket



Width B: 50 mm
Height H: 40 mm
Length L: 41 mm
Wall thickness s: 5 mm
for: Schmalz Fixation Element
Size: 22

Design Data



Attribute	Value
-----------	-------

B	50 mm
B2	21.5 mm
d	8.4 mm
d1	6.4 mm
D mk	31.1 mm
H	40 mm
H2	20 mm
L	41 mm
s	5 mm
X1	25 mm

Contact to Schmalz

J. Schmalz GmbH | Johannes-Schmalz-Straße, 72293 Glatten, Deutschland | +49 7443 2403-102 | customercenter@schmalz.de



Technical Data

Attribute	Value
Material	Aluminium
Weight	43.6 g

Contact to Schmalz

J. Schmalz GmbH | Johannes-Schmalz-Straße, 72293 Glatten, Deutschland | +49 7443 2403-102 |
customercenter@schmalz.de