

Mounting set SET SFE 22

Part no.: 10.02.01.01577

<https://www.schmalz.com/10.02.01.01577>



Homepage > Vacuum Technology for Automation > Vacuum Components > Vacuum Generators > Ejector modules > SET SFE 22

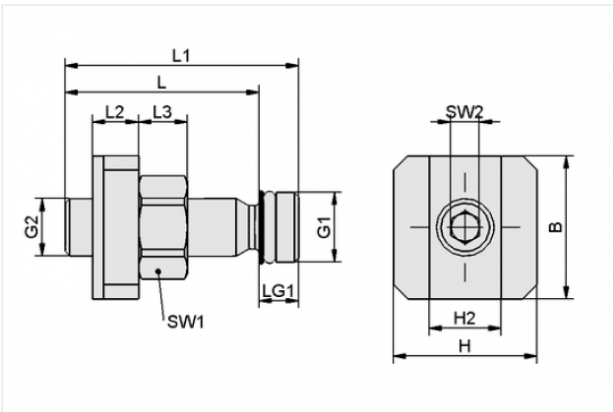
Mounting set



for: Schmalz Fixation Element

Size: 22

Design Data



Attribute	Value
B	20 mm
G1	G1/4"-M
G2	M8-M
H	20 mm
H2	10 mm
L	27 mm
L1	34 mm
L2	6.4 mm
L3	6.8 mm
LG1	7 mm
SW1	13 mm
SW2	5 mm

Contact to Schmalz

J. Schmalz GmbH | Johannes-Schmalz-Straße, 72293 Glatten, Deutschland | +49 7443 2403-102 | customercenter@schmalz.de



Technical Data

Attribute	Value
Size	22
Weight	37.9 g

[Contact to Schmalz](#)

J. Schmalz GmbH | Johannes-Schmalz-Straße, 72293 Glatten, Deutschland | +49 7443 2403-102 | customercenter@schmalz.de