

# Quick exhaust valve

## SEV G1/8-IG G1/8-AG

<https://www.schmalz.com/10.02.01.01519>



Part no.: 10.02.01.01519

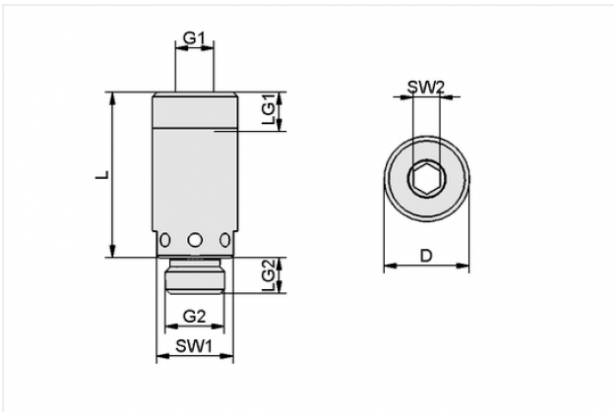
Homepage > Vacuum Technology for Automation > Vacuum Components > Vacuum Generators > Ejector modules > SEV G1/8-IG G1/8-AG

## Quick exhaust valve



Thread G1: G1/8-F  
Thread G2: G1/8-M

## Design Data



| Attribute | Value |
|-----------|-------|
|-----------|-------|

|     |         |
|-----|---------|
| D   | 19 mm   |
| G1  | G1/8"-F |
| G2  | G1/8"-M |
| L   | 39.5 mm |
| LG1 | 7 mm    |
| SW1 | 17 mm   |
| SW2 | 6 mm    |

## Technical Data

| Attribute | Value |
|-----------|-------|
|-----------|-------|

|                                     |                 |
|-------------------------------------|-----------------|
| Pressure range (operating pressure) | 2.5 ... 7.0 bar |
| Weight                              | 23.7 g          |

### Contact to Schmalz

J. Schmalz GmbH | Johannes-Schmalz-Straße, 72293 Glatten, Deutschland | +49 7443 2403-102 | [customercenter@schmalz.de](mailto:customercenter@schmalz.de)



---

---

[Contact to Schmalz](#)

J. Schmalz GmbH | Johannes-Schmalz-Straße, 72293 Glatten, Deutschland | +49 7443 2403-102 |  
customercenter@schmalz.de