

# Mounting bracket

## BEF-WIN 36x40x27 5 SFE-13

<https://www.schmalz.com/10.08.03.00314>



Part no.: 10.08.03.00314

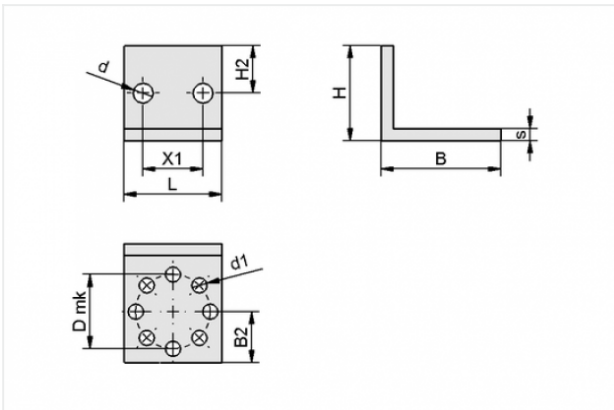
Homepage > Vacuum Technology for Automation > Vacuum Components > Vacuum Generators > Ejector modules > BEF-WIN 36x40x27 5 SFE-13

## Mounting bracket



Width B: 36 mm  
Height H: 40 mm  
Length L: 27 mm  
Wall thickness s: 5 mm  
for: Schmalz Fixation Element  
Size: 13

## Design Data



Attribute	Value
B	36 mm
B2	14 mm
d	6.4 mm
d1	4.5 mm
D mk	19.8 mm
H	40 mm
H2	20 mm
L	27 mm
s	5 mm
X1	16.5 mm

## Contact to Schmalz

J. Schmalz GmbH | Johannes-Schmalz-Straße, 72293 Glatten, Deutschland | +49 7443 2403-102 | [customercenter@schmalz.de](mailto:customercenter@schmalz.de)

## Technical Data

Attribute	Value
Material	Aluminium
Weight	25.4 g

---

---