

Mounting bracket

BEF-WIN 30x40x25.5 4 SFE-7

<https://www.schmalz.com/10.08.03.00313>



Part no.: 10.08.03.00313

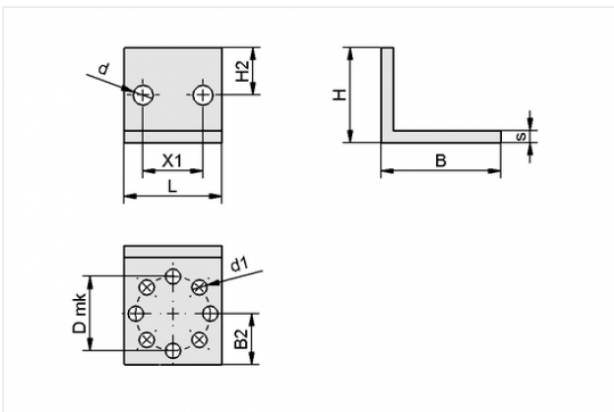
Homepage > Vacuum Technology for Automation > Vacuum Components > Vacuum Generators > Ejector modules > BEF-WIN 30x40x25.5 4 SFE-7

Mounting bracket



Width B: 30 mm
 Height H: 40 mm
 Length L: 25.5 mm
 Wall thickness s: 4 mm
 for: Schmalz Fixation Element
 Size: 7

Design Data



Attribute	Value
B	30 mm
B2	12.5 mm
d	6.3 mm
d1	4.5 mm
D mk	17 mm
H	40 mm
H2	20 mm
L	25.5 mm
s	4 mm
X1	15.4 mm

Contact to Schmalz

J. Schmalz GmbH | Johannes-Schmalz-Straße, 72293 Glatten, Deutschland | +49 7443 2403-102 | customercenter@schmalz.de

Technical Data

Attribute	Value
Material	Aluminium
Weight	26.9 g
