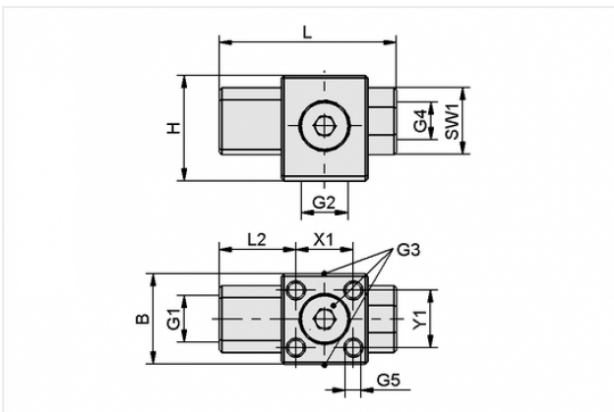


## Schmalz Fixation Element



Hole diameter: 7 mm  
Compressed-air connection: G1/8"-F  
Suction cup connection: G1/8"-F  
Vacuum connection: G1/8"-F

## Design Data



Attribute	Value
B	19 mm
G1	G1/8"-F
G2	G1/8"-F
G3	G1/8"-F
G4	M8x0.5-F
G5	M4-F
H	22 mm
L	37 mm
L2	16 mm
SW1	14 mm
X1	12 mm
Y1	12 mm

## Technical Data

Attribute	Value
Material	Aluminium
Weight	28 g

## Accessories



### **BEF-WIN 30x40x25.5 4 SFE-7**

Part no. 10.08.03.00313

Mounting bracket

Width B: 30 mm

Height H: 40 mm

Length L: 25.5 mm

Wall thickness s: 4 mm

for: Schmalz Fixation Element

Size: 7