

Sealing frame

DI-RA 80x40 PPTA

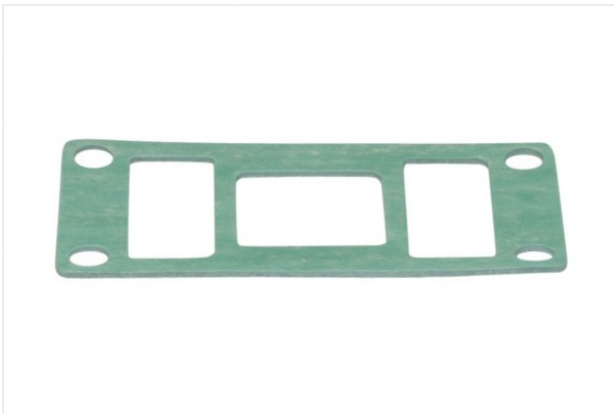
<https://www.schmalz.com/10.07.08.00132>



Part no.: 10.07.08.00132

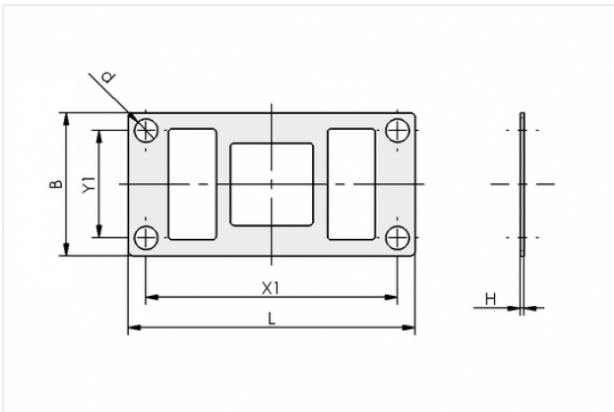
Homepage > Vacuum Technology for Automation > Vacuum Components > Mounting Elements > Sections and Connectors > DI-RA 80x40 PPTA

Sealing frame



Length L: 80 mm
Width B: 40 mm
Sealing material: Polyaramid PPTA

Design Data



Attribute	Value
-----------	-------

B	40 mm
d	6.5 mm
H	1 mm
L	80 mm
X1	70 mm
Y1	30 mm

Technical Data

Attribute	Value
Sealing material	Polyaramid PPTA
Weight	3 g

Contact to Schmalz

J. Schmalz GmbH | Johannes-Schmalz-Straße, 72293 Glatten, Deutschland | +49 7443 2403-102 | customercenter@schmalz.de



Contact to Schmalz

J. Schmalz GmbH | Johannes-Schmalz-Straße, 72293 Glatten, Deutschland | +49 7443 2403-102 |
customercenter@schmalz.de