

## Sealing plate

VRS-PL-80x40 G1/2-IG MO-PROF

Part no.: 25.09.06.00010

<https://www.schmalz.com/25.09.06.00010>



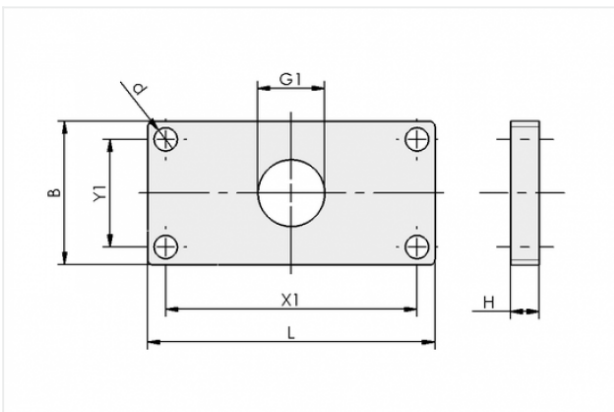
Homepage > Vacuum Technology for Automation > Vacuum Components > Mounting Elements > Sections and Connectors > VRS-PL-80x40 G1/2-IG MO-PROF

## Sealing plate



Length: 80 mm  
Width: 40 mm  
Height: 8 mm  
Thread 1: G1/2-F  
for: Mounting section

## Design Data



Attribute	Value
-----------	-------

B	40 mm
d	6.5 mm
G1	G1/2"-F
H	8 mm
L	80 mm
X1	70 mm
Y1	30 mm

## Technical Data

Attribute	Value
Weight	170 g

### Contact to Schmalz

J. Schmalz GmbH | Johannes-Schmalz-Straße, 72293 Glatten, Deutschland | +49 7443 2403-102 | [customercenter@schmalz.de](mailto:customercenter@schmalz.de)



---

---

[Contact to Schmalz](#)

J. Schmalz GmbH | Johannes-Schmalz-Straße, 72293 Glatten, Deutschland | +49 7443 2403-102 |  
customercenter@schmalz.de