

# Sealing plate

## VRS-PL-80x40 MO-PROF

<https://www.schmalz.com/25.09.06.00001>



Part no.: 25.09.06.00001

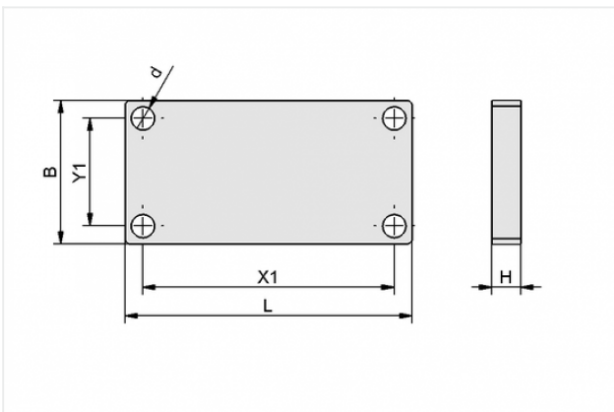
Homepage > Vacuum Technology for Automation > Vacuum Components > Mounting Elements > Sections and Connectors > VRS-PL-80x40 MO-PROF

## Sealing plate



Length L: 80 mm  
Width B: 40 mm  
Height H: 8 mm  
for: Mounting section

## Design Data



Attribute	Value
-----------	-------

B	40 mm
d	6.5 mm
H	8 mm
L	80 mm
X1	70 mm
Y1	30 mm

## Technical Data

Attribute	Value
Material	Steel
Weight	191 g

### Contact to Schmalz

J. Schmalz GmbH | Johannes-Schmalz-Straße, 72293 Glatten, Deutschland | +49 7443 2403-102 | [customercenter@schmalz.de](mailto:customercenter@schmalz.de)



---

---

[Contact to Schmalz](#)

J. Schmalz GmbH | Johannes-Schmalz-Straße, 72293 Glatten, Deutschland | +49 7443 2403-102 |  
customercenter@schmalz.de