

Sliding block

NUT-STEI 20 M8-IG 10

<https://www.schmalz.com/25.09.06.00012>



Part no.: 25.09.06.00012

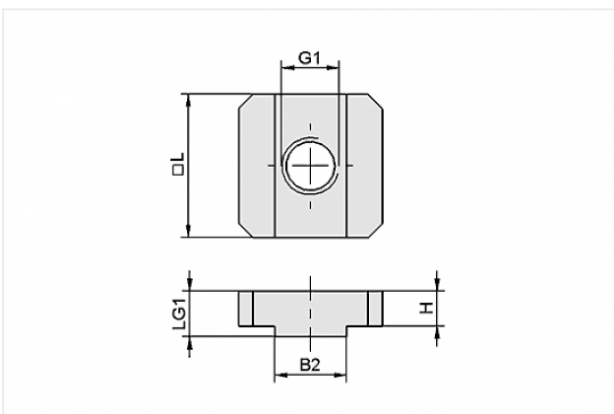
Homepage > Vacuum Technology for Automation > Vacuum Components > Mounting Elements > Sections and Connectors > NUT-STEI 20 M8-IG 10

Nut for profile slot



Length L: 20 mm
Height H: 4.9 mm
Thread G1: M8-F
Shape: With step

Design Data



Attribute	Value
-----------	-------

B2	10 mm
G1	M8-F
H	4.9 mm
L	20 mm
LG1	6.4 mm

Technical Data

Attribute	Value
Material	Steel
Surface	galvanised

Contact to Schmalz

J. Schmalz GmbH | Johannes-Schmalz-Straße, 72293 Glatten, Deutschland | +49 7443 2403-102 | customercenter@schmalz.de



Attribute	Value
Shape	With step
Weight	14 g
