

# Sliding block

## NUT-STEI 10x20 M6-IG

<https://www.schmalz.com/25.09.06.00002>



Part no.: 25.09.06.00002

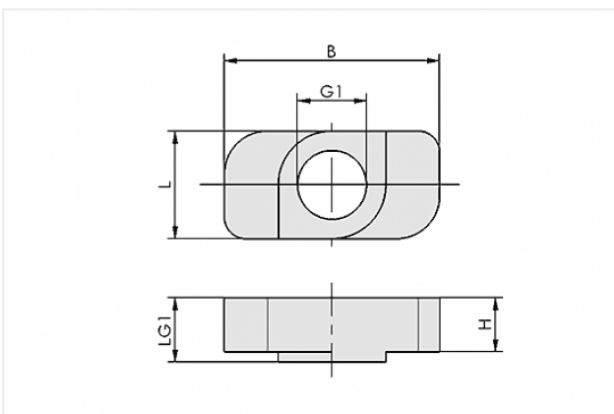
Homepage > Vacuum Technology for Automation > Vacuum Components > Mounting Elements > Sections and Connectors > NUT-STEI 10x20 M6-IG

### Nut for profile slot



Length L: 10 mm  
Height H: 5 mm  
Width B: 20 mm  
Thread G1: M6-F  
Shape: With step

### Design Data



Attribute	Value
B	20 mm
G1	M6-F
H	5 mm
L	10 mm
LG1	6 mm

### Technical Data

Attribute	Value
Material	Steel
Surface	galvanised

### Contact to Schmalz

J. Schmalz GmbH | Johannes-Schmalz-Straße, 72293 Glatten, Deutschland | +49 7443 2403-102 | [customercenter@schmalz.de](mailto:customercenter@schmalz.de)



Attribute	Value
Shape	With step
Weight	6 g

---

---