

Section connector

VBR-PR 150x3 E-FL

Part no.: 25.09.06.00006

<https://www.schmalz.com/25.09.06.00006>



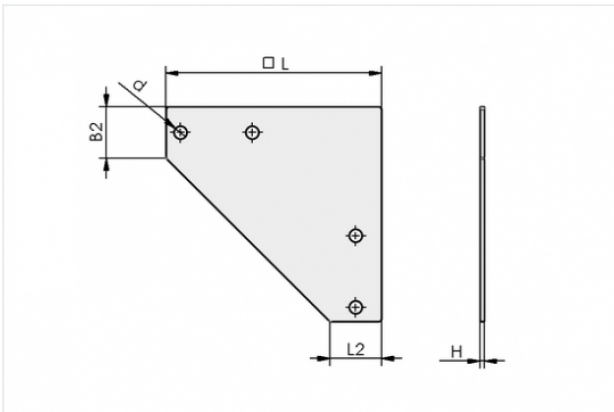
Homepage > Vacuum Technology for Automation > Vacuum Components > Mounting Elements > Sections and Connectors > VBR-PR 150x3 E-FL

Section connector



Length L: 150 mm
Height H: 3 mm
Connection 1: 2 Sliding blocks
Shape: Corner - same height

Design Data



Attribute	Value
-----------	-------

B2	36 mm
----	-------

d	9 mm
---	------

H	3 mm
---	------

L	150 mm
---	--------

L2	36 mm
----	-------

Technical Data

Attribute	Value
-----------	-------

Weight	362 g
--------	-------

Contact to Schmalz

J. Schmalz GmbH | Johannes-Schmalz-Straße, 72293 Glatten, Deutschland | +49 7443 2403-102 | customercenter@schmalz.de