

Sealing frame

DI-RA 40 PPTA

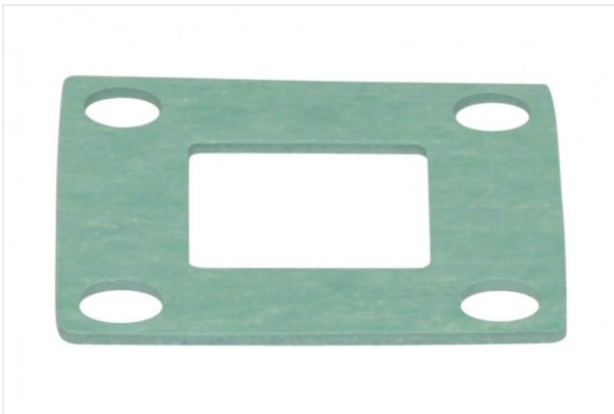
Part no.: 10.07.08.00131

<https://www.schmalz.com/10.07.08.00131>



Homepage > Vacuum Technology for Automation > Vacuum Components > Mounting Elements > Sections and Connectors > DI-RA 40 PPTA

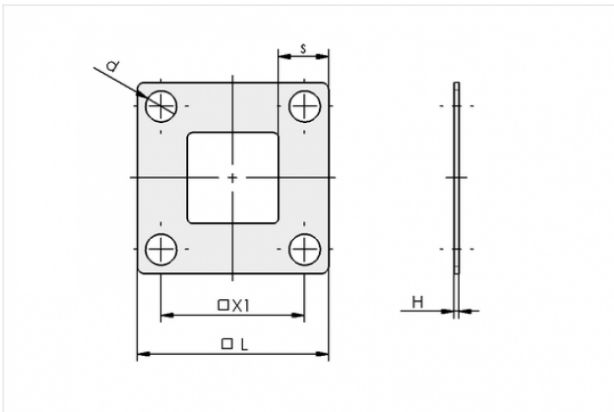
Sealing frame



Length L: 40 mm

Sealing material: Polyaramid PPTA

Design Data



Attribute	Value
-----------	-------

d	6.5 mm
---	--------

H	1 mm
---	------

L	40 mm
---	-------

s	10.5 mm
---	---------

X1	30 mm
----	-------

Technical Data

Attribute	Value
-----------	-------

Sealing material	Polyaramid PPTA
------------------	-----------------

Weight	2 g
--------	-----

Contact to Schmalz

J. Schmalz GmbH | Johannes-Schmalz-Straße, 72293 Glatten, Deutschland | +49 7443 2403-102 | customercenter@schmalz.de

