

# Sealing plate

## VRS-PL-40 G1/2-IG MO-PROF

<https://www.schmalz.com/25.09.06.00009>



Part no.: 25.09.06.00009

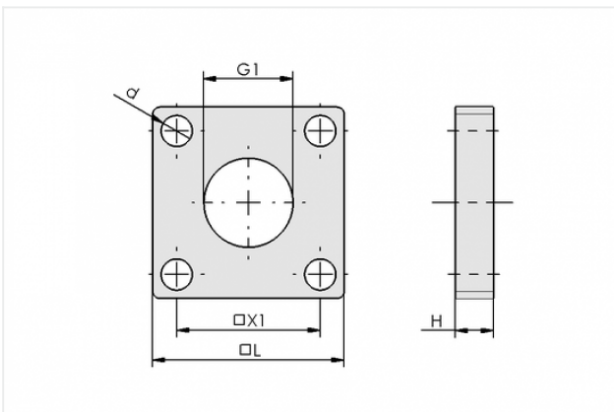
Homepage > Vacuum Technology for Automation > Vacuum Components > Mounting Elements > Sections and Connectors > VRS-PL-40 G1/2-IG MO-PROF

## Sealing plate



Length: 40 mm  
Height: 10 mm  
Thread 1: G1/2-F  
for: Mounting section

## Design Data



Attribute	Value
-----------	-------

d	6.5 mm
G1	G1/2"-F
H	10 mm
L	40 mm
X1	30 mm

## Technical Data

Attribute	Value
Weight	72 g

### Contact to Schmalz

J. Schmalz GmbH | Johannes-Schmalz-Straße, 72293 Glatten, Deutschland | +49 7443 2403-102 | [customercenter@schmalz.de](mailto:customercenter@schmalz.de)

