

Sealing plate

VRS-PL-40 MO-PROF

<https://www.schmalz.com/25.09.06.00008>



Part no.: 25.09.06.00008

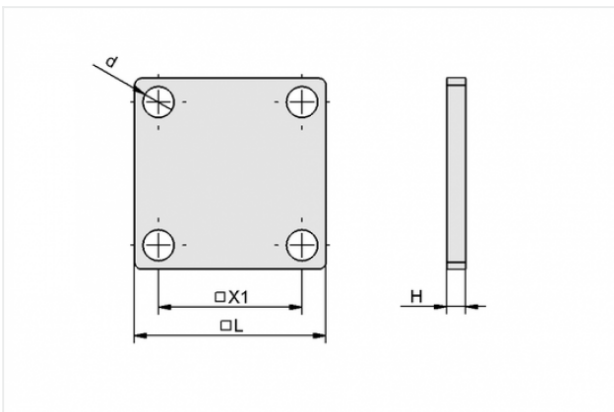
Homepage > Vacuum Technology for Automation > Vacuum Components > Mounting Elements > Sections and Connectors > VRS-PL-40 MO-PROF

Sealing plate



Length L: 40 mm
Height H: 4 mm
for: Mounting section

Design Data



Attribute	Value
d	6.5 mm
H	4 mm
L	40 mm
X1	30 mm

Technical Data

Attribute	Value
Material	Steel
Weight	45 g

Contact to Schmalz

J. Schmalz GmbH | Johannes-Schmalz-Straße, 72293 Glatten, Deutschland | +49 7443 2403-102 | customercenter@schmalz.de

