

Universal holder HTR-UNI 2N G1/4

<https://www.schmalz.com/10.01.03.00296>



Part no.: 10.01.03.00296

Homepage > Vacuum Technology for Automation > Vacuum Components > Mounting Elements > Holder for Suction Cups and Spring Plungers >

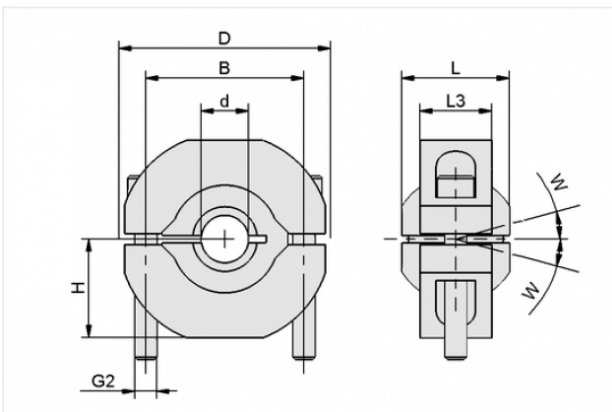
Universal Holders HTR-UNI > HTR-UNI 2N G1/4

Universal holder for adjustable mounting of suction cups



Cross-beam connection:
2 Sliding blocks
Shape: for threaded rod G1/4

Design Data



Attribute	Value
-----------	-------

B	44 mm
---	-------

d	13.26 mm
---	----------

D	59 mm
---	-------

G2	M6-M
----	------

H	27.5 mm
---	---------

L	30 mm
---	-------

L3	20 mm
----	-------

W	15 °
---	------

Technical Data

Contact to Schmalz

J. Schmalz GmbH | Johannes-Schmalz-Straße, 72293 Glatten, Deutschland | +49 7443 2403-102 | customercenter@schmalz.de

Attribute	Value
Weight	155 g

Accessories



SAUG-ANB G1/4-AG 80

Part no. 10.01.03.00292

Suction cup connection (rigid)

Suction cup connection: G1/4-M

Length L: 80 mm



SAUG-ANB G1/4-AG 110

Part no. 10.01.03.00327

Suction cup connection (rigid)

Suction cup connection: G1/4-M

Length L: 110 mm



SAUG-ANB G1/4-AG 140

Part no. 10.01.03.00291

Suction cup connection (rigid)

Suction cup connection: G1/4-M

Length L: 140 mm



SAUG-ANB G1/4-AG 200

Part no. 10.01.03.00308

Suction cup connection (rigid)

Suction cup connection: G1/4-M

Length L: 200 mm