

# Universal holder

## HTR-UNI 2N X3

<https://www.schmalz.com/10.01.03.00302>



Part no.: 10.01.03.00302

Homepage > Vacuum Technology for Automation > Vacuum Components > Mounting Elements > Holder for Suction Cups and Spring Plungers >

Universal Holders HTR-UNI > HTR-UNI 2N X3

## Universal holder for adjustable mounting of suction cups



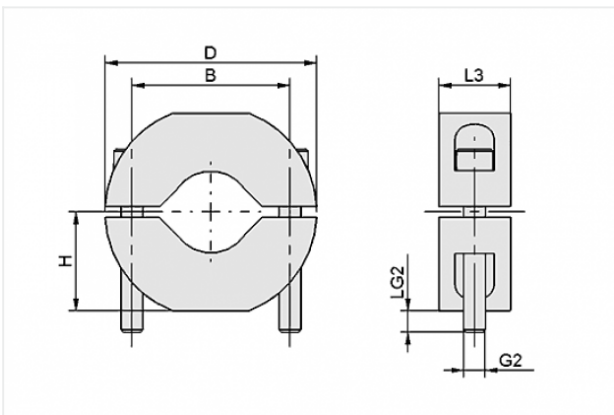
Cross-beam connection:

2 Sliding blocks

Suction cup connection:

ball head 28.5

### Design Data



Attribute	Value
-----------	-------

B	44 mm
---	-------

D	59 mm
---	-------

G2	M6-M
----	------

H	27.5 mm
---	---------

L3	20 mm
----	-------

LG2	6 mm
-----	------

### Technical Data

Attribute	Value
-----------	-------

Weight	121.7 g
--------	---------

### Contact to Schmalz

J. Schmalz GmbH | Johannes-Schmalz-Straße, 72293 Glatten, Deutschland | +49 7443 2403-102 | [customercenter@schmalz.de](mailto:customercenter@schmalz.de)

## Accessories



### **HTR-FST A3 FSTI**

Part no. 10.01.03.06136

Holder for continuous adjustment of spring plungers

Cross-beam connection:

Ball head 28.5 mm

Spring plunger mounting: M18x1.5-F  
for: Spring plungers



### **HTR-S A3 RA**

Part no. 10.01.10.00239

Holder for flexible mounting of suction cups

Cross-beam connection:

Ball head 28.5 mm

Suction cup connection:

Rectangular ada

Vacuum connection: G1/4-F



### **HTS-A3 SGM 30/40**

Part no. 10.01.17.00170

Holder system

Cross-beam connection:

Ball head 28.5 mm

for: Magnetic gripper

Size: 30/40



**HTS-A3 SGM 50/70**

Part no. 10.01.17.00173

Holder system

Cross-beam connection:

Ball head 28.5 mm

for: Magnetic gripper

Size: 50/70



**HTS-A3 D SGM 30/40**

Part no. 10.01.17.00176

Holder system

Cross-beam connection:

Ball head 28.5 mm

Shape: Double block

for: Magnetic gripper

Size: 30/40



**HTS-A3 D SGM 50/70**

Part no. 10.01.17.00179

Holder system

Cross-beam connection:

Ball head 28.5 mm

Shape: Double block

for: Magnetic gripper

Size: 50/70



**HTS-A3 AP SNG AP/AE**

Part no. 10.01.29.00322

Holder system

Cross-beam connection:

Ball head 28.5 mm

Shape: with adapterplate  
for: Needle gripper

Size: AP/AE