

# Universal holder

## HTR-UNI 2N G2 80

Part no.: 10.01.03.00298

<https://www.schmalz.com/10.01.03.00298>



Homepage > Vacuum Technology for Automation > Vacuum Components > Mounting Elements > Holder for Suction Cups and Spring Plungers >

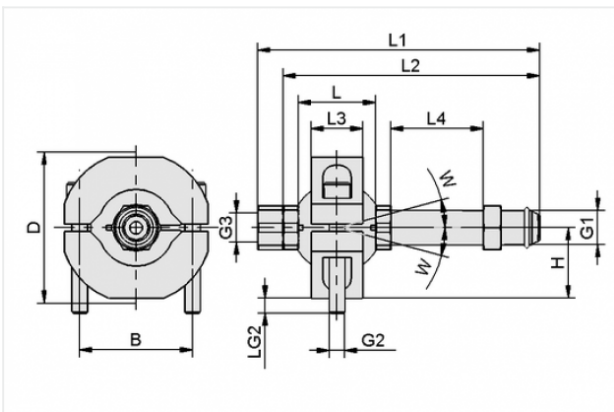
Universal Holders HTR-UNI > HTR-UNI 2N G2 80

## Universal holder for adjustable mounting of suction cups



Cross-beam connection:  
2 Sliding blocks  
Suction cup connection: G1/4"-M  
Overall length: 80 mm  
Ambient temperature: 0 ... 80 °C

### Design Data



Attribute	Value
-----------	-------

B	44 mm
D	59 mm
G1	G1/4"-M
G2	M6-M
G3	G1/4"-F
H	27.5 mm
L	30 mm
L1	80 mm
L2	70 mm
L3	20 mm
L4	6 mm
LG2	6 mm
W	15 °

### Contact to Schmalz

J. Schmalz GmbH | Johannes-Schmalz-Straße, 72293 Glatten, Deutschland | +49 7443 2403-102 | [customercenter@schmalz.de](mailto:customercenter@schmalz.de)

---

## Technical Data

Attribute	Value
Weight	200 g

---

## Spare Parts



### **SAUG-ANB G1/4-AG 80**

Part no. 10.01.03.00292

Suction cup connection (rigid)

Suction cup connection: G1/4-M

Length L: 80 mm