

Cross-beam connection

HTR-STC D32 UNI

Part no.: 10.01.03.00108

<https://www.schmalz.com/10.01.03.00108>



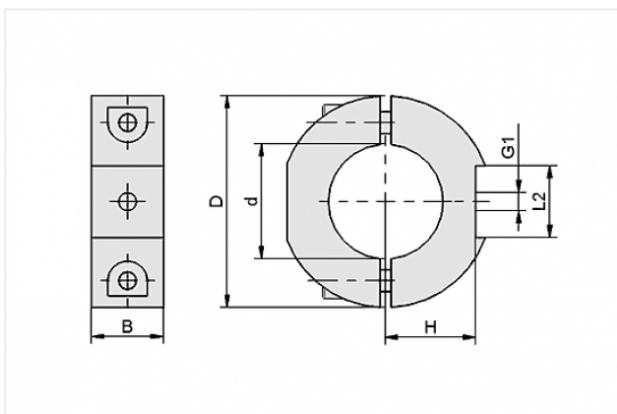
Homepage > Vacuum Technology for Automation > Vacuum Components > Mounting Elements > Holder for Suction Cups and Spring Plungers > HTR-STC D32 UNI

Cross-beam connection



Connection 1: D32
Connection 2: Universal holder
Shape: angled

Design Data



Attribute	Value
-----------	-------

B	20 mm
d	32 mm
D	58.9 mm
G1	M6-F
H	25 mm
L2	20.1 mm

Technical Data

Attribute	Value
Weight	130 g

Contact to Schmalz

J. Schmalz GmbH | Johannes-Schmalz-Straße, 72293 Glatten, Deutschland | +49 7443 2403-102 | customercenter@schmalz.de

Accessories



BUCHSE 32-25x21 PA

Part no. 10.01.03.00097

Sliding-bearing sleeve with collar

External diameter: 32 mm

Internal diameter: 25 mm

Length: 21 mm

Material: Polyamide