

Cross-beam connection

HTR-STB 30x30 UNI

<https://www.schmalz.com/10.01.03.00135>



Part no.: 10.01.03.00135

Homepage > Vacuum Technology for Automation > Vacuum Components > Mounting Elements > Holder for Suction Cups and Spring Plungers >

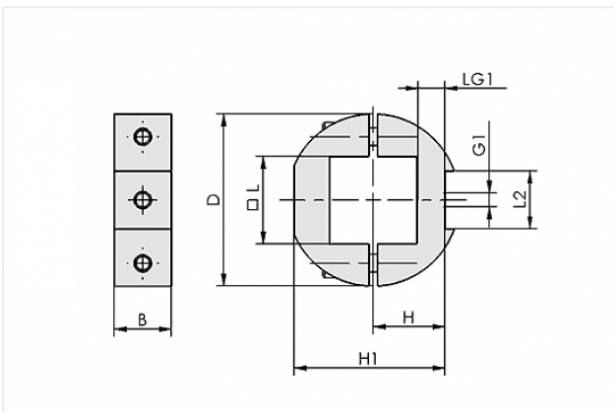
HTR-STB 30x30 UNI

Cross-beam connection



Connection 1: Contour 30x30
Connection 2: Universal holder
Shape: angled

Design Data



Attribute	Value
-----------	-------

B	20 mm
---	-------

D	58.9 mm
---	---------

G1	M6-F
----	------

H	25 mm
---	-------

H1	52.5 mm
----	---------

L	30.5 mm
---	---------

L2	20.1 mm
----	---------

LG1	10 mm
-----	-------

Technical Data

Contact to Schmalz

J. Schmalz GmbH | Johannes-Schmalz-Straße, 72293 Glatten, Deutschland | +49 7443 2403-102 | customercenter@schmalz.de



Attribute	Value
Weight	125 g
