

Universal holder

HTR-UNI 1N G2 80

Part no.: 10.01.03.00107

<https://www.schmalz.com/10.01.03.00107>



Homepage > Vacuum Technology for Automation > Vacuum Components > Mounting Elements > Holder for Suction Cups and Spring Plungers >

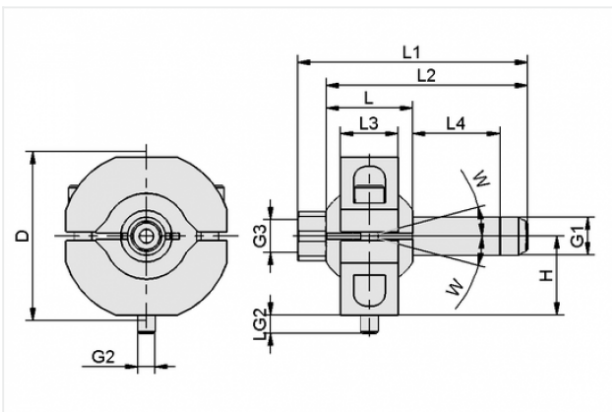
Universal Holders HTR-UNI > HTR-UNI 1N G2 80

Universal holder for adjustable mounting of suction cups



Cross-beam connection:
1 Sliding block
Suction cup connection: G1/4"-M
Overall length: 80 mm
Ambient temperature: 0 ... 80 °C

Design Data



Attribute	Value
-----------	-------

D	59 mm
G1	G1/4"-M
G2	M6-M
G3	G1/4"-F
H	27.5 mm
L	30 mm
L1	80 mm
L2	70 mm
L3	20 mm
L4	25 mm
LG2	6.3 mm
W	15 °

Contact to Schmalz

J. Schmalz GmbH | Johannes-Schmalz-Straße, 72293 Glatten, Deutschland | +49 7443 2403-102 | customercenter@schmalz.de

Technical Data

Attribute	Value
Weight	170 g

Accessories



HTR-STB 30x30 UNI

Part no. 10.01.03.00135

Cross-beam connection

Connection 1: Contour 30x30

Connection 2: Universal holder

Shape: angled



HTR-STC D32 UNI

Part no. 10.01.03.00108

Cross-beam connection

Connection 1: D32

Connection 2: Universal holder

Shape: angled



BUCHSE 32-25x21 PA

Part no. 10.01.03.00097

Sliding-bearing sleeve with collar

External diameter: 32 mm

Internal diameter: 25 mm

Length: 21 mm

Material: Polyamide