

Sealing screw with collar

<https://www.schmalz.com/10.01.01.10117>



VRS-AN G1/2-AG

Part no.: 10.01.01.10117

Homepage > Vacuum Technology for Automation > Vacuum Components > Mounting Elements > Holder for Suction Cups and Spring Plungers >

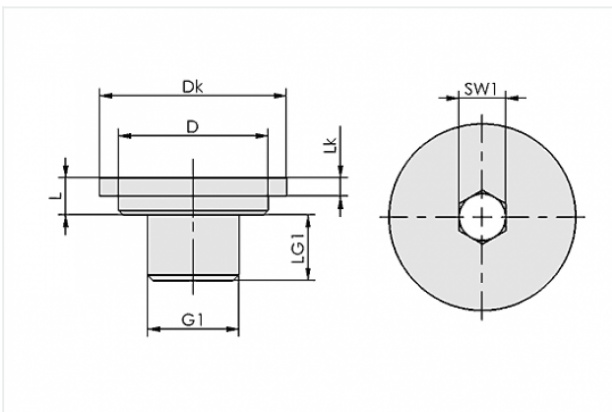
VRS-AN G1/2-AG

Sealing screw with collar



Thread 1: G1/2-M
Material: Steel
Surface: galvanised

Design Data



Attribute	Value
-----------	-------

D	28 mm
---	-------

Dk	32 mm
----	-------

G1	G1/2"-M
----	---------

L	7 mm
---	------

LG1	11 mm
-----	-------

Lk	3 mm
----	------

SW1	10 mm
-----	-------

Technical Data

Attribute	Value
-----------	-------

Material	Steel
----------	-------

Contact to Schmalz

J. Schmalz GmbH | Johannes-Schmalz-Straße, 72293 Glatten, Deutschland | +49 7443 2403-102 | customercenter@schmalz.de



Attribute	Value
Surface	galvanised
Weight	50 g
