

Sealing screw with collar

<https://www.schmalz.com/10.01.01.10118>



VRS-AN G1/4-AG

Part no.: 10.01.01.10118

Homepage > Vacuum Technology for Automation > Vacuum Components > Mounting Elements > Holder for Suction Cups and Spring Plungers >

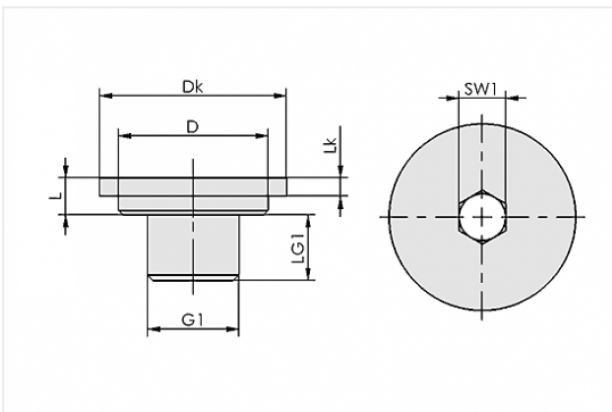
VRS-AN G1/4-AG

Sealing screw with collar



Thread 1: G1/4-M
Material: Aluminium

Design Data



Attribute	Value
-----------	-------

D	20 mm
---	-------

Dk	25 mm
----	-------

G1	G1/4"-M
----	---------

L	6 mm
---	------

LG1	10 mm
-----	-------

Lk	3 mm
----	------

SW1	6 mm
-----	------

Technical Data

Attribute	Value
-----------	-------

Material	Aluminium
----------	-----------

Contact to Schmalz

J. Schmalz GmbH | Johannes-Schmalz-Straße, 72293 Glatten, Deutschland | +49 7443 2403-102 | customercenter@schmalz.de



Attribute	Value
Weight	9 g
