

Sealing screw with collar

<https://www.schmalz.com/10.01.01.10150>



VRS-AN M5-AG

Part no.: 10.01.01.10150

Homepage > Vacuum Technology for Automation > Vacuum Components > Mounting Elements > Holder for Suction Cups and Spring Plungers >

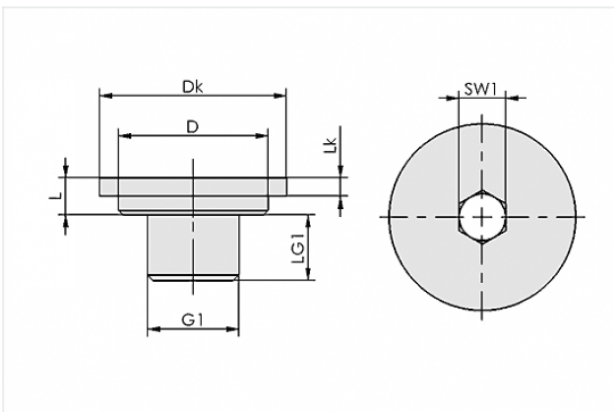
VRS-AN M5-AG

Sealing screw with collar



Thread 1: M5-M
Material: Steel
Surface: galvanised

Design Data



Attribute	Value
-----------	-------

D	10 mm
---	-------

Dk	14 mm
----	-------

G1	M5-M
----	------

L	4 mm
---	------

LG1	5.5 mm
-----	--------

Lk	2 mm
----	------

SW1	2.5 mm
-----	--------

Technical Data

Attribute	Value
-----------	-------

Material	Steel
----------	-------

Contact to Schmalz

J. Schmalz GmbH | Johannes-Schmalz-Straße, 72293 Glatten, Deutschland | +49 7443 2403-102 | customercenter@schmalz.de



Attribute	Value
Surface	galvanised
Weight	4 g
