

Filter with mounting kit

<https://www.schmalz.com/10.05.01.00060>



FAS 63x19 G1/4-AG

Part no.: 10.05.01.00060

Homepage > Vacuum Technology for Automation > Vacuum Components > Valve Technology > Solenoid Valves > FAS 63x19 G1/4-AG

Filter with mounting kit

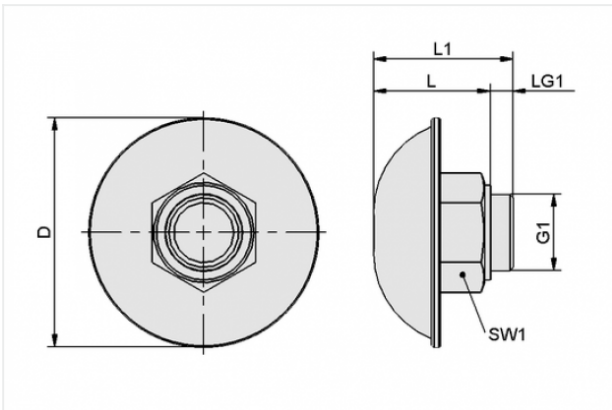


External diameter D: 63 mm

Length L: 19 mm

Thread G1: G1/4-M

Design Data



Attribute	Value
D	63 mm
G1	G1/4"-M
L	19 mm
L1	28 mm
LG1	8 mm
SW1	19 mm

Technical Data

Attribute	Value
Weight	42.6 g

Contact to Schmalz

J. Schmalz GmbH | Johannes-Schmalz-Straße, 72293 Glatten, Deutschland | +49 7443 2403-102 | customercenter@schmalz.de

