

Solenoid valve

EMV 5 24V-DC 3/2 NO

<https://www.schmalz.com/10.05.01.00068>



Part no.: 10.05.01.00068

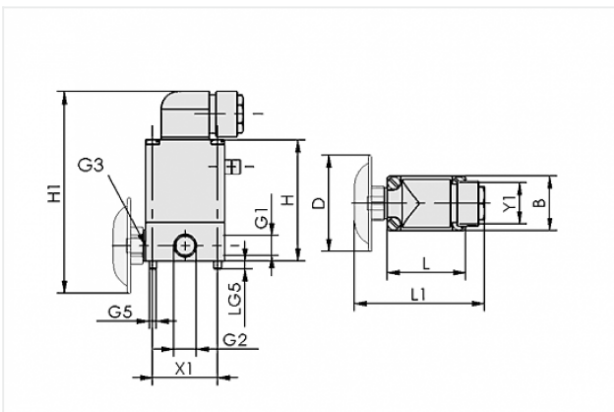
Homepage > Vacuum Technology for Automation > Vacuum Components > Valve Technology > Solenoid Valves > Solenoid Valves EMV > EMV 5 24V-DC 3/2 NO

Solenoid valve EMV for direct control of vacuum and compressed air



Nominal size: 5 mm
 Voltage: 24V - DC
 Function: 3/2-way valve
 Control: Normally open
 Connecting thread: G1/4-F
 Power consumption (DC): 8 W

Design Data



Attribute	Value
B	32 mm
D	56 mm
G1	G1/4"-F
G2	G1/4"-F
G3	G1/4"-F
G5	M4-F
H	71 mm
H1	118 mm
L	46 mm
L1	76 mm
LG5	4.8 mm
X1	38 mm
Y1	24 mm

Contact to Schmalz

J. Schmalz GmbH | Johannes-Schmalz-Straße, 72293 Glatten, Deutschland | +49 7443 2403-102 | customercenter@schmalz.de

Technical Data

Attribute	Value
Nominal size	5 mm
Control	Normally open
Nominal flow rate	66.7 l/min
Nominal flow rate	4 m ³ /h
Power consumption (DC)	8 W
Voltage	24V - DC
Closing time	20 ms
Weight	0.518 kg

Spare Parts



FAS 63x19 G1/4-AG

Part no. 10.05.01.00060

Filter with mounting kit

External diameter D: 63 mm

Length L: 19 mm

Thread G1: G1/4-M