

# Spring plunger FSTF G1/2-AG 50

<https://www.schmalz.com/10.01.02.01012>



Part no.: 10.01.02.01012

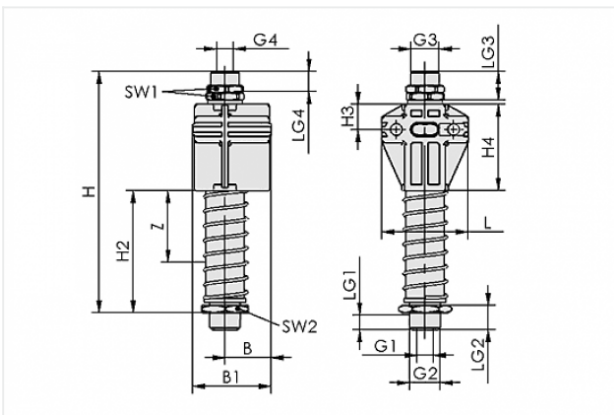
Homepage > Vacuum Technology for Automation > Vacuum Components > Mounting Elements > Spring plungers > Spring Plungers FSTF > FSTF G1/2-AG 50

## Spring plunger with damping, height compensation and flexible mounting



Suction cup connection: G1/4-F  
alt. Suction cup connection: G1/2-M  
Vacuum connection: M20-M  
alt. Vacuum connection: G1/4-F  
Spring stroke Z: 50 mm

### Design Data



Attribute	Value
B	32.3 mm
B1	54.6 mm
G1	G1/4"-F
G2	G1/2"-M
G3	M20-M
G4	G1/4"-F
H	168 mm
H2	85 mm
H3	17.5 mm
H4	60 mm
L	60 mm
LG1	10 mm
LG2	17 mm

### Contact to Schmalz

J. Schmalz GmbH | Johannes-Schmalz-Straße, 72293 Glatten, Deutschland | +49 7443 2403-102 | [customercenter@schmalz.de](mailto:customercenter@schmalz.de)

Attribute	Value
LG3	20 mm
LG4	10 mm
SW1	24 mm
SW2	32 mm
Z	50 mm

---

## Technical Data

Attribute	Value
Spring rate	0.567 N/mm
Spring pretension	17.6 N
Spring force, centre	31.75 N
Vertical load	2500 N
Horizontal load	800 N
Weight	246 g
Ambient temperature	0 ... 50 °C

### Note:

- Spring force: Referred to 50% of operating stroke
- Static loading: Maximum static loading
- Horizontal stress: The specification of the horizontal stress refers to the lower edge of the plunger with extended spring. It is a maximum static stress and it impairs the spring compression and extension in horizontal position

---

## Accessories

### Contact to Schmalz



**SET FSTF**

Part no. 10.01.02.01030

Mounting set

for: Spring plungers FSTF



**SET FSTF COM**

Part no. 10.01.02.01031

Mounting set

for: Spring plungers FSTF

Size: COM