

Spring-plunger holder HTR-FST 2N

<https://www.schmalz.com/10.01.03.06143>



Part no.: 10.01.03.06143

Homepage > Vacuum Technology for Automation > Vacuum Components > Mounting Elements > Holder for Suction Cups and Spring Plungers >

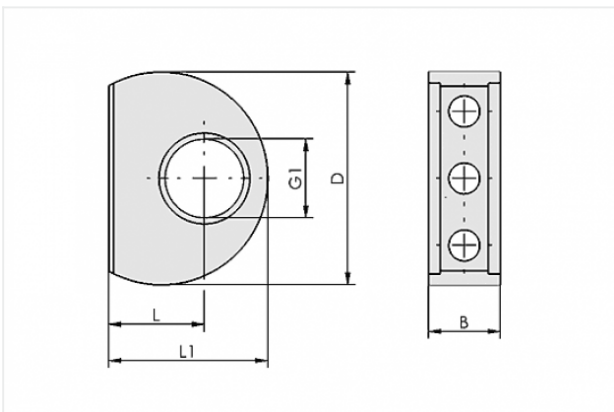
Holder for Spring Plunger HTR-FST > HTR-FST 2N

Holder for continuous adjustment of spring plungers



Cross-beam connection:
2 Sliding blocks
Spring plunger mounting: M18x1.5-F

Design Data



Attribute	Value
B	15 mm
D	44.5 mm
G1	M18x1.5-M
L	20 mm
L1	33.3 mm

Technical Data

Attribute	Value
Weight	76.5 g

Contact to Schmalz

J. Schmalz GmbH | Johannes-Schmalz-Straße, 72293 Glatten, Deutschland | +49 7443 2403-102 | customercenter@schmalz.de

