

Spring-plunger holder

HTR-FST A3 FSTI

<https://www.schmalz.com/10.01.03.06136>



Part no.: 10.01.03.06136

Homepage > Vacuum Technology for Automation > Vacuum Components > Mounting Elements > Holder for Suction Cups and Spring Plungers >

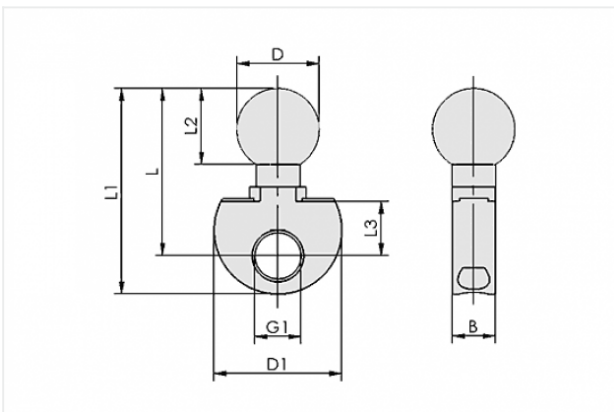
Holder for Spring Plunger HTR-FST > HTR-FST A3 FSTI

Holder for continuous adjustment of spring plungers



Cross-beam connection:
Ball head 28.5 mm
Spring plunger mounting: M18x1.5-F
for: Spring plungers

Design Data



Attribute	Value
-----------	-------

B	15 mm
---	-------

D	28.5 mm
---	---------

D1	44.5 mm
----	---------

G1	M18x1.5-M
----	-----------

L	58.3 mm
---	---------

L1	71.5 mm
----	---------

L2	26.4 mm
----	---------

L3	19 mm
----	-------

Technical Data

Contact to Schmalz

J. Schmalz GmbH | Johannes-Schmalz-Straße, 72293 Glatten, Deutschland | +49 7443 2403-102 | customercenter@schmalz.de



Attribute	Value
Weight	78.4 g
