

Spring-plunger holder

HTR-FST A2 FSTI

<https://www.schmalz.com/10.01.03.06134>



Part no.: 10.01.03.06134

Homepage > Vacuum Technology for Automation > Vacuum Components > Mounting Elements > Holder for Suction Cups and Spring Plungers >

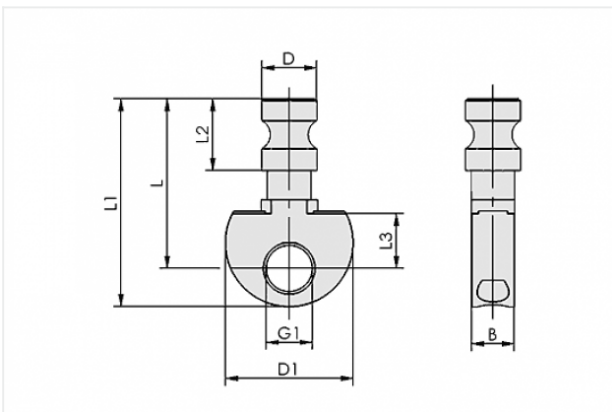
Holder for Spring Plunger HTR-FST > HTR-FST A2 FSTI

Holder for continuous adjustment of spring plungers



Cross-beam connection:
Bolt adapter A2
Spring plunger mounting: M18x1.5-F
for: Spring plungers

Design Data



Attribute	Value
-----------	-------

B	15 mm
---	-------

D	19 mm
---	-------

D1	44.5 mm
----	---------

G1	M18x1.5-M
----	-----------

L	59 mm
---	-------

L1	72.3 mm
----	---------

L2	25 mm
----	-------

L3	19 mm
----	-------

Technical Data

Contact to Schmalz

J. Schmalz GmbH | Johannes-Schmalz-Straße, 72293 Glatten, Deutschland | +49 7443 2403-102 | customercenter@schmalz.de



Attribute	Value
Weight	60.6 g
