

# Spring plungers

## FSTE-HDB G3/8-AG 25 VG-AB

<https://www.schmalz.com/10.01.02.01436>



Part no.: 10.01.02.01436

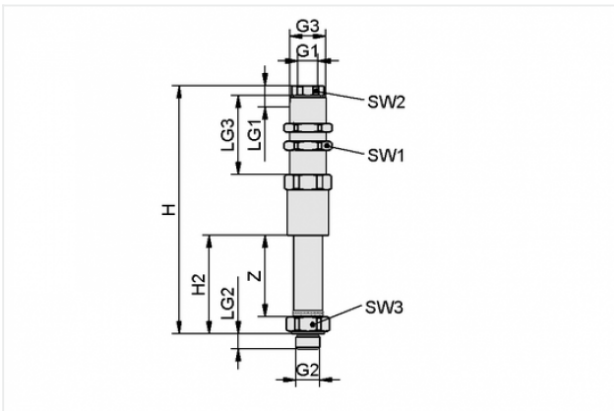
Homepage > Vacuum Technology for Automation > Vacuum Components > Mounting Elements > Spring plungers > Spring Plungers FSTE-HDB > FSTE-HDB G3/8-AG 25 VG-AB

### Spring plunger with damping and height compensation, heavy-duty and ball guided anti-rotation guard



Suction cup connection: G3/8-M  
 Vacuum connection: G1/8-F  
 Spring stroke Z: 25 mm  
 Shape: Rotation lock anti-Block

#### Design Data



Attribute	Value
G1	G1/8"-F
G2	G3/8"-M
G3	M20x1.5-M
H	118.8 mm
H2	35.3 mm
LG1	12 mm
LG2	8 mm
LG3	44 mm
SW1	24 mm
SW2	17 mm
SW3	22 mm
Z	25 mm

#### Contact to Schmalz

J. Schmalz GmbH | Johannes-Schmalz-Straße, 72293 Glatten, Deutschland | +49 7443 2403-102 | [customercenter@schmalz.de](mailto:customercenter@schmalz.de)

## Technical Data

Attribute	Value
Shape	Rotation lock anti-Block
Spring rate	0.711 N/mm
Spring pretension	3.06 N
Spring force, centre	11.95 N
Vertical load	2400 N
Horizontal load	747 N
Weight	240 g
Ambient temperature	0 ... 80 °C

### Note:

- Spring force: Referred to 50 % of operating stroke
- Vertical load: Maximum static loading
- Horizontal load: The specification of the horizontal load refers to the lower edge of the plunger with extended spring. It is a maximum static stress and it impairs the spring compression and extension in horizontal position.

## Accessories



### RED-STK G1/2-AG G3/8-IG MS-V

Part no. 10.08.04.00096

Reduction piece with hexagon

Thread G1: G1/2-M

Thread G2: G3/8-F

Length L: 6 mm

Material: Brass

Surface: nickel plated

**HTR-STA 55 1N D20 WI**

Part no. 10.08.03.00086

Holder for flexible mounting of suction cups/spring plungers on sections

Length L: 55 mm

Cross-beam connection: Sliding block

Suction cup or spring plunger conn.:

Contour D20-G1/4

Shape: angled

**HTR-UNI 2N FSTE-HDB**

Part no. 10.01.03.00332

Universal holder for adjustable mounting of suction cups

Cross-beam connection:

2 Sliding blocks

Shape: for FSTE-HDB

**ST G1/8-AG 4 MS-V**

Part no. 10.08.03.00153

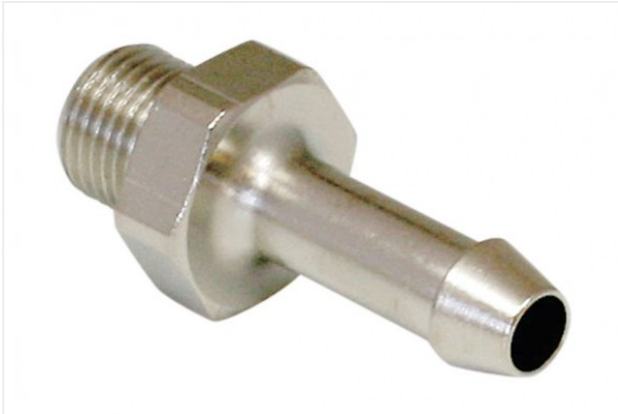
Hose sleeve

Thread 1: G1/8-M

Internal hose diameter: 4 mm

Material: Brass

Surface: nickel plated



**ST G1/8-AG 6 MS-V**

Part no. 10.08.03.00154

Hose sleeve

Thread 1: G1/8-M

Internal hose diameter: 6 mm

Material: Brass

Surface: nickel plated



**ST G1/8-AG 9 MS-V**

Part no. 10.08.03.00155

Hose sleeve

Thread 1: G1/8-M

Internal hose diameter: 9 mm

Material: Brass

Surface: nickel plated



**STV-GE G1/8-AG 4**

Part no. 10.08.02.00202

Screw plug connection, straight

Thread G1: G1/8-M

External hose diameter: 4 mm

Material: Brass

Surface: nickel plated

Ambient temperature: -20 ... 80 °C



**STV-GE G1/8-AG 6**

Part no. 10.08.02.00204

Screw plug connection, straight

Thread G1: G1/8-M

External hose diameter: 6 mm

Material: Brass

Surface: nickel plated

Ambient temperature: -20 ... 80 °C



**STV-GE G1/8-AG 8**

Part no. 10.08.02.00206

Screw plug connection, straight

Thread G1: G1/8-M

External hose diameter: 8 mm

Material: Brass

Surface: nickel plated



**STV-W G1/8-AG 4**

Part no. 10.08.02.00156

Screw plug connection, swivelling elbow

Thread G1: G1/8-M

External hose diameter: 4 mm

Material: Brass, nickel-plated

Ambient temperature: -20 ... 80 °C



**STV-W G1/8-AG 6**

Part no. 10.08.02.00158

Screw plug connection, swivelling elbow

Thread G1: G1/8-M

External hose diameter: 6 mm

Material: Brass, nickel-plated

Ambient temperature: -20 ... 80 °C



**STV-W G1/8-AG 8**

Part no. 10.08.02.00160

Screw plug connection, swivelling elbow

Thread G1: G1/8-M

External hose diameter: 8 mm

Material: Brass, nickel-plated

Ambient temperature: -20 ... 80 °C



**STV-GE G1/8-AG 6 HT**

Part no. 10.08.02.00389

Screw plug connection, straight

Thread G1: G1/8-M

External hose diameter: 6 mm

Material: Brass

Surface: nickel plated

Ambient temperature: -50 ... 200 °C

Type: HT



**STV-W G1/8-AG 6**

Part no. 10.08.02.00288

Screw plug connection, swivelling elbow

Thread G1: G1/8-M

External hose diameter: 6 mm

Material: Plastic



**STV-W G1/8-AG 6 HT**

Part no. 10.08.02.00391

Screw plug connection, swivelling elbow

Thread G1: G1/8-M

External hose diameter: 6 mm

Material: Brass

Surface: nickel plated

Ambient temperature: -50 ... 200 °C

Type: HT



**STV-WF G1/8-AG 4**

Part no. 10.08.02.00166

Screw plug connection, swivelling and lockable

Thread G1: G1/8-M

External hose diameter: 4 mm

Material: Brass, nickel-plated



**STV-WF G1/8-AG 6**

Part no. 10.08.02.00168

Screw plug connection, swivelling and lockable

Thread G1: G1/8-M

External hose diameter: 6 mm

Material: Brass, nickel-plated



**STV-WF G1/8-AG 8**

Part no. 10.08.02.00170

Screw plug connection, swivelling and lockable

Thread G1: G1/8-M

External hose diameter: 8 mm

Material: Brass, nickel-plated



**STV-WF G1/8-AG 10**

Part no. 10.08.02.00257

Screw plug connection, swivelling and lockable

Thread G1: G1/8-M

External hose diameter: 10 mm

Material: Brass, nickel-plated





**STV-T G1/8-AG 4**

Part no. 10.09.02.00039

Screw plug connection, T

Thread 1: G1/8-M

External hose diameter: 4 mm

Length: 32.5 mm

Material: Brass

Surface: nickel plated



**STV-T G1/8-AG 6**

Part no. 10.09.02.00040

Screw plug connection, T

Thread 1: G1/8-M

External hose diameter: 6 mm

Length: 41.5 mm

Material: Brass

Surface: nickel plated



**STV-T G1/8-AG 8**

Part no. 10.09.02.00041

Screw plug connection, T

Thread 1: G1/8-M

External hose diameter: 8 mm

Length: 48.7 mm

Material: Brass

Surface: nickel plated