

Washer (Standard)

SCHE 7090 M30 ST VZ

<https://www.schmalz.com/20.06.01.00044>



Part no.: 20.06.01.00044

Homepage > Vacuum Technology for Automation > Vacuum Components > Mounting Elements > Holder for Suction Cups and Spring Plungers >

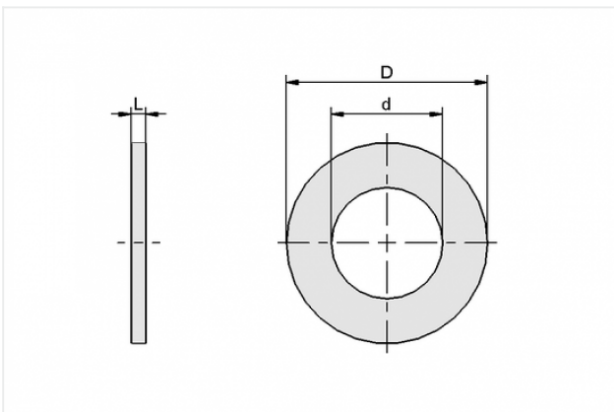
SCHE 7090 M30 ST VZ

Washer (Standard)



Standard: ISO 7090
for: M30
Material: Steel
Surface: galvanised

Design Data



Attribute	Value
-----------	-------

d	31 mm
---	-------

D	56 mm
---	-------

L	4 mm
---	------

Technical Data

Attribute	Value
-----------	-------

Material	Steel
----------	-------

Weight	48 g
--------	------

Contact to Schmalz

J. Schmalz GmbH | Johannes-Schmalz-Straße, 72293 Glatten, Deutschland | +49 7443 2403-102 | customercenter@schmalz.de



[Contact to Schmalz](#)

J. Schmalz GmbH | Johannes-Schmalz-Straße, 72293 Glatten, Deutschland | +49 7443 2403-102 |
customercenter@schmalz.de