

# Washer with shoulder

## SCHE 38-21.5x5 ST VZ

<https://www.schmalz.com/10.01.01.10015>



Part no.: 10.01.01.10015

Homepage > Vacuum Technology for Automation > Vacuum Components > Mounting Elements > Holder for Suction Cups and Spring Plungers >

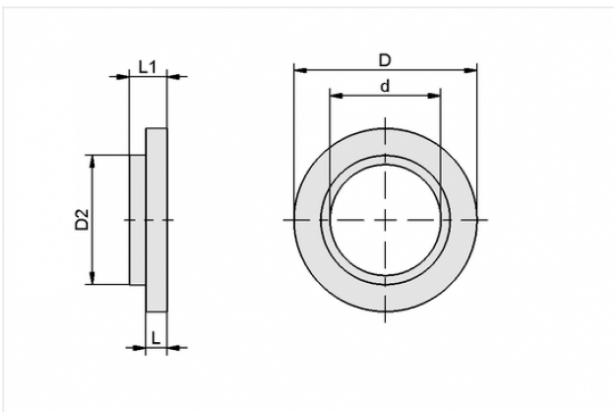
SCHE 38-21.5x5 ST VZ

## Washer with shoulder



External diameter D: 38 mm  
Internal diameter d: 21.5 mm  
Length L1: 5 mm  
Material: Steel  
Surface: galvanised

## Design Data



Attribute	Value
-----------	-------

d	21.5 mm
D	38 mm
D2	30 mm
L	3 mm
L1	5 mm

## Technical Data

Attribute	Value
Material	Steel
Weight	23.6 g

### Contact to Schmalz

J. Schmalz GmbH | Johannes-Schmalz-Straße, 72293 Glatten, Deutschland | +49 7443 2403-102 | [customercenter@schmalz.de](mailto:customercenter@schmalz.de)



---

---

[Contact to Schmalz](#)

J. Schmalz GmbH | Johannes-Schmalz-Straße, 72293 Glatten, Deutschland | +49 7443 2403-102 |  
customercenter@schmalz.de