

# Washer with shoulder

## SCHE 35-16.5x5 ST VZ

<https://www.schmalz.com/10.01.01.10025>



Part no.: 10.01.01.10025

Homepage > Vacuum Technology for Automation > Vacuum Components > Mounting Elements > Holder for Suction Cups and Spring Plungers >

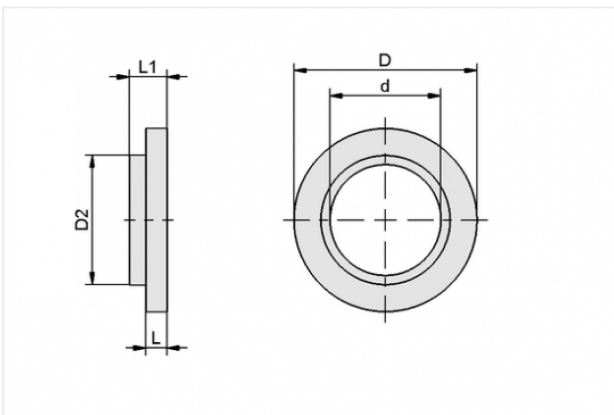
SCHE 35-16.5x5 ST VZ

## Washer with shoulder



External diameter D: 35 mm  
Internal diameter d: 16.5 mm  
Length L1: 5 mm  
Material: Steel  
Surface: galvanised

## Design Data



Attribute	Value
-----------	-------

d	16.5 mm
---	---------

D	35 mm
---	-------

D2	30 mm
----	-------

L	3 mm
---	------

L1	5 mm
----	------

## Technical Data

Attribute	Value
-----------	-------

Material	Steel
----------	-------

Weight	25.1 g
--------	--------

## Contact to Schmalz

J. Schmalz GmbH | Johannes-Schmalz-Straße, 72293 Glatten, Deutschland | +49 7443 2403-102 | [customercenter@schmalz.de](mailto:customercenter@schmalz.de)



---

---

[Contact to Schmalz](#)

J. Schmalz GmbH | Johannes-Schmalz-Straße, 72293 Glatten, Deutschland | +49 7443 2403-102 |  
customercenter@schmalz.de