

# Universal holder HTR-UNI 2N FSTE-HDB

<https://www.schmalz.com/10.01.03.00332>



Part no.: 10.01.03.00332

Homepage > Vacuum Technology for Automation > Vacuum Components > Mounting Elements > Holder for Suction Cups and Spring Plungers >

Universal Holders HTR-UNI > HTR-UNI 2N FSTE-HDB

## Universal holder for adjustable mounting of suction cups

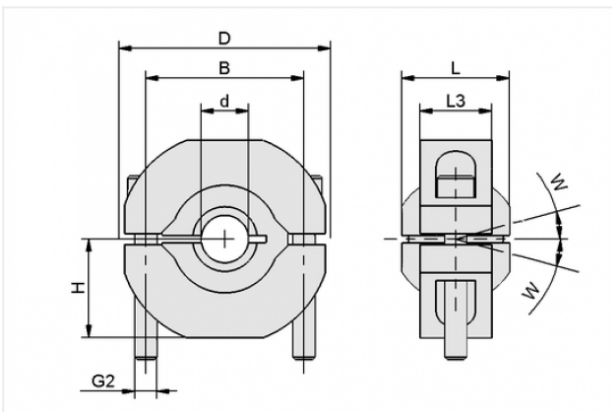


Cross-beam connection:

2 Sliding blocks

Shape: for FSTE-HDB

### Design Data



Attribute	Value
-----------	-------

B	44 mm
---	-------

d	20 mm
---	-------

D	59 mm
---	-------

G2	M6-M
----	------

H	27.5 mm
---	---------

L	28 mm
---	-------

L3	20 mm
----	-------

W	15 °
---	------

### Technical Data

#### Contact to Schmalz

J. Schmalz GmbH | Johannes-Schmalz-Straße, 72293 Glatten, Deutschland | +49 7443 2403-102 | [customercenter@schmalz.de](mailto:customercenter@schmalz.de)



Attribute	Value
Weight	155 g

---

---