

Plug union, straight STV-GE G1/2-AG 14

<https://www.schmalz.com/10.08.02.00300>



Part no.: 10.08.02.00300

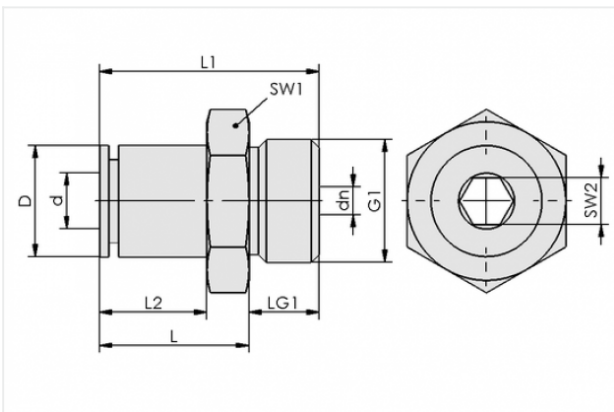
Homepage > Vacuum Technology for Automation > Vacuum Components > Filters and Connections > Hoses and Connectors > Screw in Push Fittings > STV-GE G1/2-AG 14

Screw plug connection, straight



Thread G1: G1/2-M
External hose diameter: 14 mm
Material: Brass
Surface: nickel plated

Design Data



| Attribute | Value |
|-----------|---------|
| d | 14 mm |
| dn | 10.3 mm |
| D | 21.5 mm |
| G1 | G1/2"-M |
| L | 25 mm |
| L1 | 34.5 mm |
| L2 | 19 mm |
| LG1 | 9.6 mm |
| SW1 | 24 mm |

Contact to Schmalz

J. Schmalz GmbH | Johannes-Schmalz-Straße, 72293 Glatten, Deutschland | +49 7443 2403-102 | customercenter@schmalz.de

Technical Data

| Attribute | Value |
|-----------|--------------------|
| Hose type | 14-11 |
| Material | Brass |
| Surface | nickel plated |
| for | Hose D = 14 d = 11 |
| Weight | 52.7 g |

Accessories



VSL 14-11 PU

Part no. 10.07.09.00038

Hose for vacuum and compressed-air systems

External diameter D: 14 mm

Internal diameter d: 11 mm

Length (max): 100 m

Material: PU

Installation radius (min): 100 mm

Pressure range (operating pressure):

-0.95 ... 10.00 bar

Ambient temperature: -20 ... 90 °C