

# Plug union, straight STV-GE G3/8-AG 14

<https://www.schmalz.com/10.08.02.00211>



Part no.: 10.08.02.00211

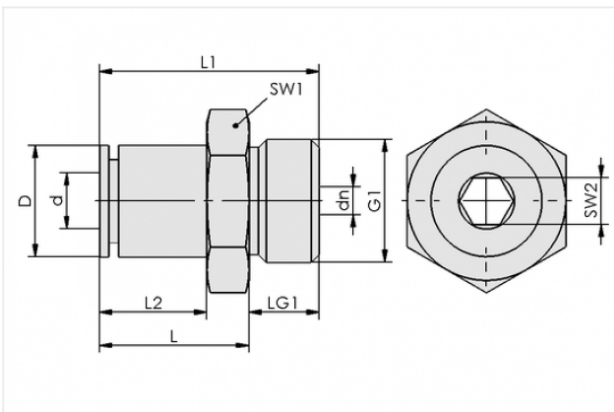
Homepage > Vacuum Technology for Automation > Vacuum Components > Filters and Connections > Hoses and Connectors > Screw in Push Fittings > STV-GE G3/8-AG 14

## Screw plug connection, straight



Thread G1: G3/8-M  
External hose diameter: 14 mm  
Material: Brass  
Surface: nickel plated  
Ambient temperature: -20 ... 80 °C

## Design Data



Attribute	Value
-----------	-------

d	14 mm
---	-------

dn	10.3 mm
----	---------

D	21.5 mm
---	---------

G1	G3/8"-M
----	---------

L	30.5 mm
---	---------

L1	37.8 mm
----	---------

L2	22.1 mm
----	---------

LG1	7.3 mm
-----	--------

SW1	22 mm
-----	-------

## Contact to Schmalz

J. Schmalz GmbH | Johannes-Schmalz-Straße, 72293 Glatten, Deutschland | +49 7443 2403-102 | [customercenter@schmalz.de](mailto:customercenter@schmalz.de)

## Technical Data

Attribute	Value
Hose type	14-11
Material	Brass
Surface	nickel plated
Pressure range (operating pressure)	-0.95 ... 15.00 bar
Ambient temperature	-20 ... 80 °C
for	Hose D = 14 d = 11
Weight	50 g

## Accessories



### VSL 14-11 PU

Part no. 10.07.09.00038

Hose for vacuum and compressed-air systems

External diameter D: 14 mm

Internal diameter d: 11 mm

Length (max): 100 m

Material: PU

Installation radius (min): 100 mm

Pressure range (operating pressure):

-0.95 ... 10.00 bar

Ambient temperature: -20 ... 90 °C