

Plug union, T

STV-T G1/4-AG 12

Part no.: 10.09.02.00045

<https://www.schmalz.com/10.09.02.00045>



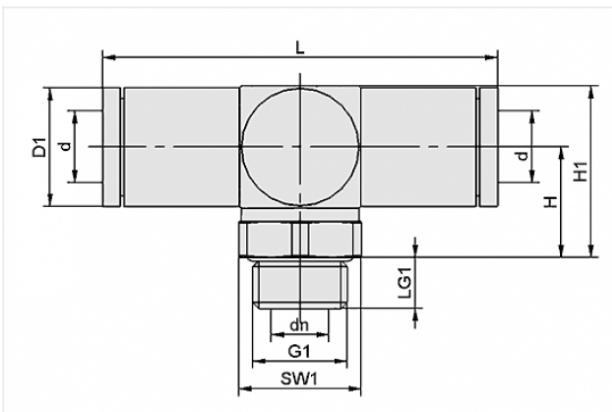
Homepage > Vacuum Technology for Automation > Vacuum Components > Filters and Connections > Hoses and Connectors > Screw in Push Fittings > STV-T G1/4-AG 12

Screw plug connection, T



Thread 1: G1/4-M
External hose diameter: 12 mm
Length: 69 mm
Material: Brass
Surface: nickel plated

Design Data



Attribute	Value
-----------	-------

d	12 mm
dn	8.4 mm
D1	19.6 mm
G1	G1/4"-M
H	16.8 mm
H1	26.6 mm
L	69 mm
LG1	7.6 mm
SW1	17 mm

Contact to Schmalz

J. Schmalz GmbH | Johannes-Schmalz-Straße, 72293 Glatten, Deutschland | +49 7443 2403-102 | customercenter@schmalz.de

Technical Data

Attribute	Value
Hose type	12-9
Material	Brass
Surface	nickel plated
for	Hose D = 12 d = 9
Weight	113.4 g

Accessories



VSL 12-9 PE

Part no. 10.07.09.00050

Hose for vacuum and compressed-air systems

External diameter D: 12 mm

Internal diameter d: 9 mm

Length (max): 100 m

Material: PE

Installation radius (min): 70 mm

Pressure range (operating pressure):

-0.95 ... 10.00 bar

Ambient temperature: -20 ... 70 °C



VSL 12-9 PU

Part no. 10.07.09.00037

Hose for vacuum and compressed-air systems

External diameter D: 12 mm

Internal diameter d: 9 mm

Length (max): 50 m

Material: PU

Installation radius (min): 70 mm

Pressure range (operating pressure):

-0.95 ... 10.00 bar

Ambient temperature: -20 ... 90 °C