

# Plug union, elbow STV-W G1/2-AG 12

<https://www.schmalz.com/10.08.02.00164>



Part no.: 10.08.02.00164

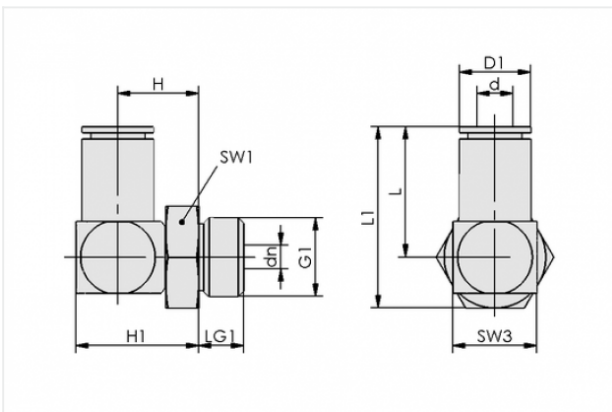
Homepage > Vacuum Technology for Automation > Vacuum Components > Filters and Connections > Hoses and Connectors > Screw in Push Fittings > STV-W G1/2-AG 12

## Screw plug connection, swivelling elbow



Thread G1: G1/2-M  
External hose diameter: 12 mm  
Material: Brass, nickel-plated  
Ambient temperature: -20 ... 80 °C

## Design Data



Attribute	Value
-----------	-------

d	12 mm
---	-------

dn	9 mm
----	------

D1	19.8 mm
----	---------

G1	G1/2"-M
----	---------

H	18.5 mm
---	---------

H1	28.5 mm
----	---------

L	34.3 mm
---	---------

L1	47.3 mm
----	---------

LG1	9.5 mm
-----	--------

SW1	24 mm
-----	-------

SW3	20 mm
-----	-------

## Contact to Schmalz

J. Schmalz GmbH | Johannes-Schmalz-Straße, 72293 Glatten, Deutschland | +49 7443 2403-102 | [customercenter@schmalz.de](mailto:customercenter@schmalz.de)

## Technical Data

Attribute	Value
Hose type	12-9
Material	Brass, nickel-plated
Pressure range (operating pressure)	-0.95 ... 15.00 bar
Ambient temperature	-20 ... 80 °C
for	Hose D = 12 d = 9
Weight	115 g

## Accessories



### VSL 12-9 PE

Part no. 10.07.09.00050  
Hose for vacuum and compressed-air systems  
External diameter D: 12 mm  
Internal diameter d: 9 mm  
Length (max): 100 m  
Material: PE  
Installation radius (min): 70 mm  
Pressure range (operating pressure):  
-0.95 ... 10.00 bar  
Ambient temperature: -20 ... 70 °C



### VSL 12-9 PU

Part no. 10.07.09.00037  
Hose for vacuum and compressed-air systems  
External diameter D: 12 mm  
Internal diameter d: 9 mm  
Length (max): 50 m  
Material: PU  
Installation radius (min): 70 mm  
Pressure range (operating pressure):  
-0.95 ... 10.00 bar  
Ambient temperature: -20 ... 90 °C

## Contact to Schmalz