

Plug union, elbow STV-W G1/4-AG 12

<https://www.schmalz.com/10.08.02.00162>



Part no.: 10.08.02.00162

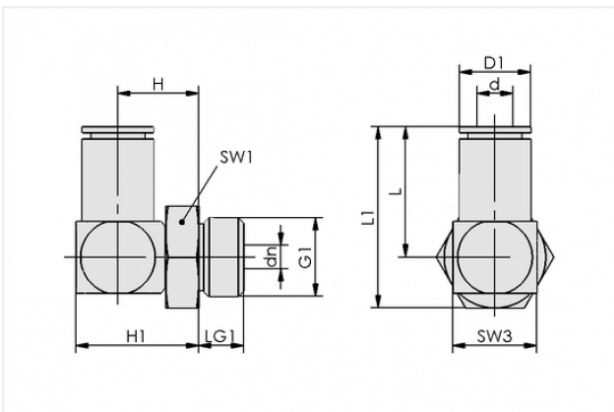
Homepage > Vacuum Technology for Automation > Vacuum Components > Filters and Connections > Hoses and Connectors > Screw in Push Fittings > STV-W G1/4-AG 12

Screw plug connection, swivelling elbow



Thread G1: G1/4-M
External hose diameter: 12 mm
Material: Brass, nickel-plated
Ambient temperature: -20 ... 80 °C

Design Data



Attribute	Value
-----------	-------

d	12 mm
dn	8.5 mm
D1	19.8 mm
G1	G1/4"-M
H	17 mm
H1	27 mm
L	34.5 mm
L1	44.5 mm
LG1	7.5 mm
SW1	17 mm
SW3	20 mm

Contact to Schmalz

J. Schmalz GmbH | Johannes-Schmalz-Straße, 72293 Glatten, Deutschland | +49 7443 2403-102 | customercenter@schmalz.de

Technical Data

Attribute	Value
Hose type	12-9
Material	Brass, nickel-plated
Pressure range (operating pressure)	-0.95 ... 15.00 bar
Ambient temperature	-20 ... 80 °C
for	Hose D = 12 d = 9
Weight	90 g

Accessories



VSL 12-9 PE

Part no. 10.07.09.00050

Hose for vacuum and compressed-air systems

External diameter D: 12 mm

Internal diameter d: 9 mm

Length (max): 100 m

Material: PE

Installation radius (min): 70 mm

Pressure range (operating pressure):

-0.95 ... 10.00 bar

Ambient temperature: -20 ... 70 °C



VSL 12-9 PU

Part no. 10.07.09.00037

Hose for vacuum and compressed-air systems

External diameter D: 12 mm

Internal diameter d: 9 mm

Length (max): 50 m

Material: PU

Installation radius (min): 70 mm

Pressure range (operating pressure):

-0.95 ... 10.00 bar

Ambient temperature: -20 ... 90 °C

Contact to Schmalz