

# Plug union, straight STV-GE G1/2-AG 12

<https://www.schmalz.com/10.08.02.00210>



Part no.: 10.08.02.00210

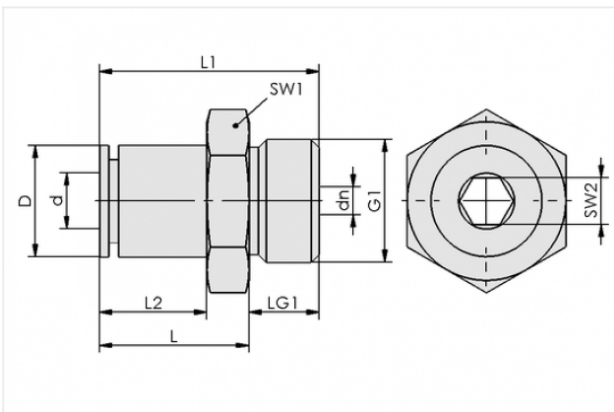
Homepage > Vacuum Technology for Automation > Vacuum Components > Filters and Connections > Hoses and Connectors > Screw in Push Fittings > STV-GE G1/2-AG 12

## Screw plug connection, straight



Thread G1: G1/2-M  
External hose diameter: 12 mm  
Material: Brass  
Surface: nickel plated  
Ambient temperature: -20 ... 80 °C

## Design Data



Attribute	Value
d	12 mm
dn	9 mm
D	19.5 mm
G1	G1/2"-M
L	24 mm
L1	33.5 mm
L2	18 mm
LG1	9.5 mm
SW1	24 mm

## Contact to Schmalz

J. Schmalz GmbH | Johannes-Schmalz-Straße, 72293 Glatten, Deutschland | +49 7443 2403-102 | [customercenter@schmalz.de](mailto:customercenter@schmalz.de)

## Technical Data

Attribute	Value
Hose type	12-9
Material	Brass
Surface	nickel plated
Pressure range (operating pressure)	-0.95 ... 15.00 bar
Ambient temperature	-20 ... 80 °C
for	Hose D = 12 d = 9
Weight	53 g

## Accessories



### VSL 12-9 PE

Part no. 10.07.09.00050

Hose for vacuum and compressed-air systems

External diameter D: 12 mm

Internal diameter d: 9 mm

Length (max): 100 m

Material: PE

Installation radius (min): 70 mm

Pressure range (operating pressure):

-0.95 ... 10.00 bar

Ambient temperature: -20 ... 70 °C



### VSL 12-9 PU

Part no. 10.07.09.00037

Hose for vacuum and compressed-air systems

External diameter D: 12 mm

Internal diameter d: 9 mm

Length (max): 50 m

Material: PU

Installation radius (min): 70 mm

Pressure range (operating pressure):

-0.95 ... 10.00 bar

Ambient temperature: -20 ... 90 °C

## Contact to Schmalz

