

Vacuum hose

VSL 15-9 PVC-G

Part no.: 10.07.09.00005

<https://www.schmalz.com/10.07.09.00005>



Homepage > Vacuum Technology for Automation > Vacuum Components > Filters and Connections > Hoses and Connectors > Vacuum /

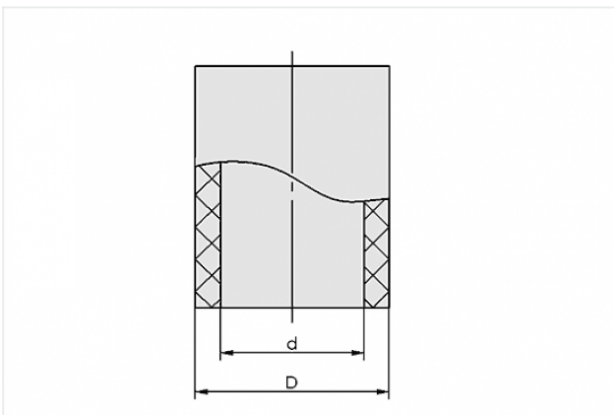
Compressed-Air Hoses VSL > VSL 15-9 PVC-G

Hose for vacuum and compressed-air systems



External diameter D: 15 mm
Internal diameter d: 9 mm
Length (max): 50 m
Material: PVC, with textile layer
Installation radius (min): 50 mm
Pressure range (operating pressure):
-0.95 ... 10.00 bar
Ambient temperature: -20 ... 70 °C

Design Data



| Attribute | Value |
|-----------|-------|
|-----------|-------|

| | |
|---|-------|
| d | 9 mm |
| D | 15 mm |

Technical Data

| Attribute | Value |
|-------------------------------------|-------------------------|
| Material | PVC, with textile layer |
| Pressure range (operating pressure) | -0.95 ... 10.00 bar |

Contact to Schmalz

J. Schmalz GmbH | Johannes-Schmalz-Straße, 72293 Glatten, Deutschland | +49 7443 2403-102 | customercenter@schmalz.de

| Attribute | Value |
|---------------------------|---------------|
| Ambient temperature | -20 ... 70 °C |
| Installation radius (min) | 50 mm |
| Length (max) | 50 m |
| Weight/Meter | 144 g/m |
| Weight/Meter | 0.144 kg/m |

Note:

- Operating pressure: In reference to media and ambient temperature of + 20°C
- Bending radius: Referred to the inner side of the hose bend in a static state
- Max. length: Please indicate the tube length when placing the order!

Accessories



SSB 10-16 ST-VZ

Part no. 10.07.10.00001

Hose clamp for securing smooth hoses

Clamping range: 10.0 ... 16.0 mm

Material: Steel galvanised



ST G1/8-AG 9 MS-V

Part no. 10.08.03.00155

Hose sleeve

Thread 1: G1/8-M

Internal hose diameter: 9 mm

Material: Brass

Surface: nickel plated



ST G1/4-AG 9 MS-V

Part no. 10.08.03.00157

Hose sleeve

Thread 1: G1/4-M

Internal hose diameter: 9 mm

Material: Brass

Surface: nickel plated



ST G3/8-AG 9 MS-V

Part no. 10.08.03.00159

Hose sleeve

Thread 1: G3/8-M

Internal hose diameter: 9 mm

Material: Brass

Surface: nickel plated



ST G1/2-AG 9 MS-V

Part no. 10.08.03.00161

Hose sleeve

Thread 1: G1/2-M

Internal hose diameter: 9 mm

Material: Brass

Surface: nickel plated