

Plug union, T

STV-T G1/4-AG 10

Part no.: 10.09.02.00044

<https://www.schmalz.com/10.09.02.00044>



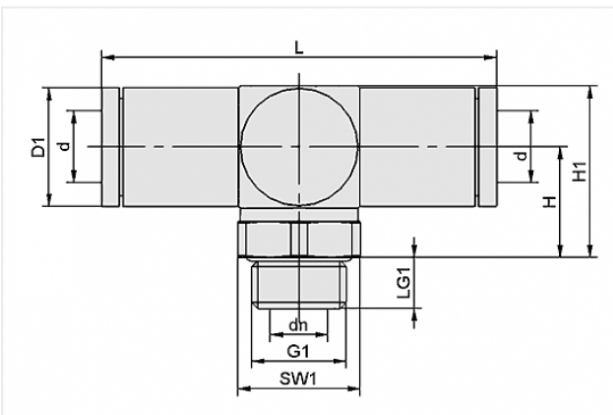
Homepage > Vacuum Technology for Automation > Vacuum Components > Filters and Connections > Hoses and Connectors > Screw in Push Fittings > STV-T G1/4-AG 10

Screw plug connection, T



Thread G1: G1/4-M
External hose diameter: 10 mm
Length L: 54.9 mm
Material: Brass
Surface: nickel plated

Design Data



Attribute	Value
-----------	-------

d	10 mm
---	-------

dn	8 mm
----	------

D1	16.5 mm
----	---------

G1	G1/4"-M
----	---------

H	15 mm
---	-------

H1	23.2 mm
----	---------

L	54.9 mm
---	---------

LG1	7.6 mm
-----	--------

SW1	17 mm
-----	-------

Contact to Schmalz

J. Schmalz GmbH | Johannes-Schmalz-Straße, 72293 Glatten, Deutschland | +49 7443 2403-102 | customercenter@schmalz.de

Technical Data

Attribute	Value
Hose type	10-7
Material	Brass
Surface	nickel plated
for	Hose D = 10 d = 7
Weight	70.3 g

Accessories



VSL 10-7 PE

Part no. 10.07.09.00083

Hose for vacuum and compressed-air systems

External diameter D: 10 mm

Internal diameter d: 7 mm

Length (max): 50 m

Material: PE

Installation radius (min): 60 mm

Colour: Transparent

Pressure range (operating pressure):

-0.95 ... 10.00 bar

Ambient temperature: -30 ... 70 °C



VSL 10-7 PU

Part no. 10.07.09.00084

Hose for vacuum and compressed-air systems

External diameter D: 10 mm

Internal diameter d: 7 mm

Length (max): 50 m

Material: PU

Installation radius (min): 60 mm

Colour: Transparent

Pressure range (operating pressure):

-0.95 ... 10.00 bar

Ambient temperature: -40 ... 85 °C

Contact to Schmalz