

# Plug union, elbow STV-WF G3/8-AG 10

<https://www.schmalz.com/10.08.02.00259>



Part no.: 10.08.02.00259

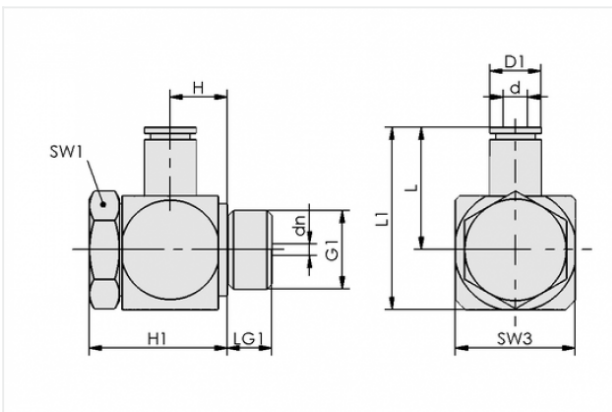
Homepage > Vacuum Technology for Automation > Vacuum Components > Filters and Connections > Hoses and Connectors > Screw in Push Fittings > STV-WF G3/8-AG 10

## Screw plug connection, swivelling and lockable



Thread G1: G3/8-M  
External hose diameter: 10 mm  
Material: Brass, nickel-plated

## Design Data



Attribute	Value
-----------	-------

d	10 mm
dn	9.4 mm
D1	16.7 mm
G1	G3/8"-M
H	10 mm
H1	24.9 mm
L	29.2 mm
L1	40.1 mm
LG1	6.7 mm
SW1	22 mm
SW3	22 mm

## Contact to Schmalz

J. Schmalz GmbH | Johannes-Schmalz-Straße, 72293 Glatten, Deutschland | +49 7443 2403-102 | [customercenter@schmalz.de](mailto:customercenter@schmalz.de)

## Technical Data

Attribute	Value
Hose type	10-7
Material	Brass, nickel-plated
Pressure range (operating pressure)	-0.95 ... 15.00 bar
Ambient temperature	-10 ... 70 °C
for	Hose D = 10 d = 7
Weight	81 g

## Accessories



### VSL 10-7 PE

Part no. 10.07.09.00083  
 Hose for vacuum and compressed-air systems  
 External diameter D: 10 mm  
 Internal diameter d: 7 mm  
 Length (max): 50 m  
 Material: PE  
 Installation radius (min): 60 mm  
 Colour: Transparent  
 Pressure range (operating pressure):  
 -0.95 ... 10.00 bar  
 Ambient temperature: -30 ... 70 °C



### VSL 10-7 PU

Part no. 10.07.09.00084  
 Hose for vacuum and compressed-air systems  
 External diameter D: 10 mm  
 Internal diameter d: 7 mm  
 Length (max): 50 m  
 Material: PU  
 Installation radius (min): 60 mm  
 Colour: Transparent  
 Pressure range (operating pressure):  
 -0.95 ... 10.00 bar  
 Ambient temperature: -40 ... 85 °C

## Contact to Schmalz

