

# Plug union, elbow STV-W G1/2-AG 10

<https://www.schmalz.com/10.08.02.00256>



Part no.: 10.08.02.00256

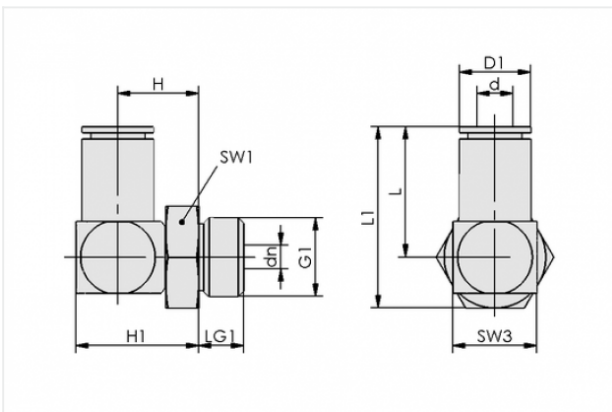
Homepage > Vacuum Technology for Automation > Vacuum Components > Filters and Connections > Hoses and Connectors > Screw in Push Fittings > STV-W G1/2-AG 10

## Screw plug connection, swivelling elbow



Thread G1: G1/2-M  
External hose diameter: 10 mm  
Material: Brass, nickel-plated  
Ambient temperature: -20 ... 80 °C

## Design Data



Attribute	Value
-----------	-------

d	10 mm
---	-------

dn	8 mm
----	------

D1	16.6 mm
----	---------

G1	G1/2"-M
----	---------

H	17.6 mm
---	---------

H1	26.5 mm
----	---------

L	27 mm
---	-------

L1	40 mm
----	-------

LG1	9.5 mm
-----	--------

SW1	24 mm
-----	-------

SW3	18 mm
-----	-------

## Contact to Schmalz

J. Schmalz GmbH | Johannes-Schmalz-Straße, 72293 Glatten, Deutschland | +49 7443 2403-102 | [customercenter@schmalz.de](mailto:customercenter@schmalz.de)

## Technical Data

Attribute	Value
Hose type	10-7
Material	Brass, nickel-plated
Pressure range (operating pressure)	-0.95 ... 15.00 bar
Ambient temperature	-20 ... 80 °C
for	Hose D = 10 d = 7
Weight	72 g

## Accessories



### VSL 10-7 PE

Part no. 10.07.09.00083  
 Hose for vacuum and compressed-air systems  
 External diameter D: 10 mm  
 Internal diameter d: 7 mm  
 Length (max): 50 m  
 Material: PE  
 Installation radius (min): 60 mm  
 Colour: Transparent  
 Pressure range (operating pressure):  
 -0.95 ... 10.00 bar  
 Ambient temperature: -30 ... 70 °C



### VSL 10-7 PU

Part no. 10.07.09.00084  
 Hose for vacuum and compressed-air systems  
 External diameter D: 10 mm  
 Internal diameter d: 7 mm  
 Length (max): 50 m  
 Material: PU  
 Installation radius (min): 60 mm  
 Colour: Transparent  
 Pressure range (operating pressure):  
 -0.95 ... 10.00 bar  
 Ambient temperature: -40 ... 85 °C

## Contact to Schmalz

